

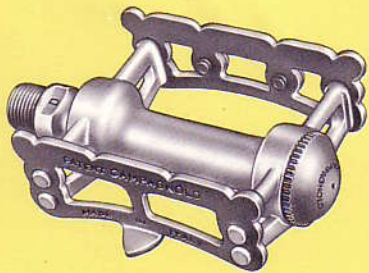
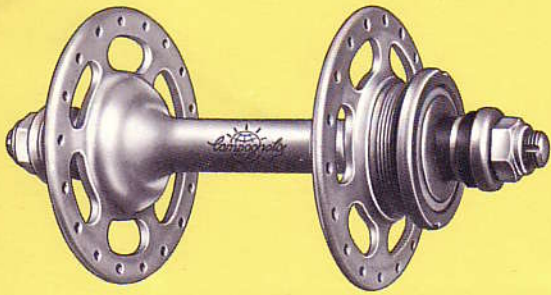
RECORD TRACK GROUP	pages 46-47
RECORD TRACK HUBS	page 48
RECORD AND SUPERLIGHT RECORD TRACK PEDALS	page 49
RECORD TRACK CHAINWHEEL SET AND BOTTOM BRACKET TRACK SET	pages 50-51
RECORD TRACK HEAD SET - RECORD SEAT PIN-FORK ENDS	page 52

1033 CAMPAGNOLO RECORD TRACK GROUP

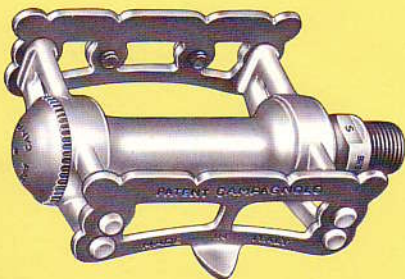
(Particular components of this group are illustrated from page 48 to page 52)



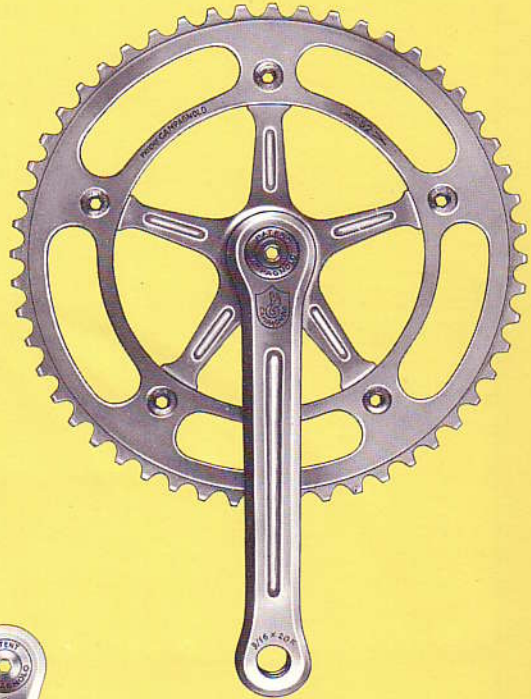
1036



1038



1050



1051



1046

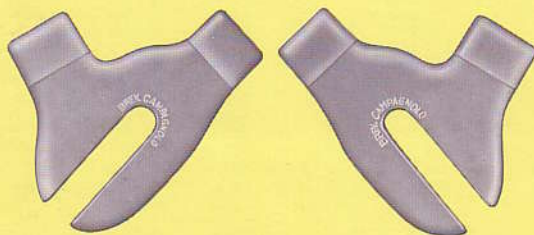




1040



1044



1053



- 1036 Pair Record large flange solid spindle track hubs (front width 100 mm., rear width 110 mm., flanges with 36 holes, thread \varnothing 35 x 24F.). Upon request furnished with rear hub width 120 mm., flanges with 24 - 28 - 32 - 40 holes, thread \varnothing 34,7 x 1M. or 1,370" x 24 Tpi-BSC. See other alternatives on page 48
- 1038 Pair Record track pedals (spindle thread \varnothing 9/16" x 20F.). Upon request furnished spindles threaded M. 14 x 1,25. See page 49
- 1040 Record track head set (thread \varnothing 25,4 x 24F.). Upon request furnished with thread \varnothing 25 x 1M. or 1" x 24 Tpi-BSC
- 1044 Seat pin. Specify diameter stem: 25 - 25,8 - 26 - 26,2 - 26,4 - 26,6 - 26,8 - 27 - 27,2 - 27,4 mm. and if length stem in 130 mm. normal or in 180 mm. long
- 1046 Record bottom bracket set (bracket width 70 mm. and cups threaded \varnothing 36 x 24F.). See alternatives on pages 50-51. Upon request is furnished the bracket safety sleeve ref. 2110-2110/1. See page 81
- 1050 Record track chainwheel set with track bottom bracket
- 1051 Record track chainset (with cranks 170 mm., pedal hole \varnothing 9/16" x 20F. and chainring for chain 1/2" x 1/8" [3 mm.]). Specify the number of teeth of the chainring available from 44T to 70T. Upon request furnished cranks with lengths 165 - 167,5 - 172,5 - 175 - 177,5 and 180 mm. and chainring for chain 1/2" x 3/32" (2 mm.). P.S.: For the sprockets see page 81
- 1053 Set track front and rear fork ends

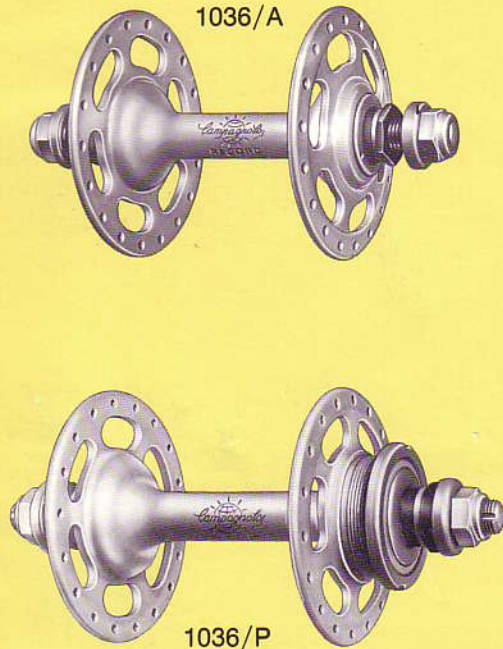
PARTICULAR COMPONENTS OF CAMPAGNOLO RECORD TRACK GROUP

1033

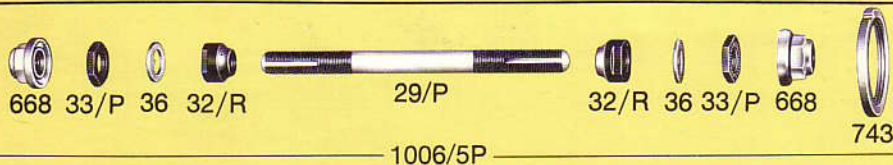
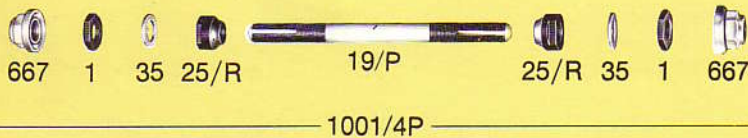
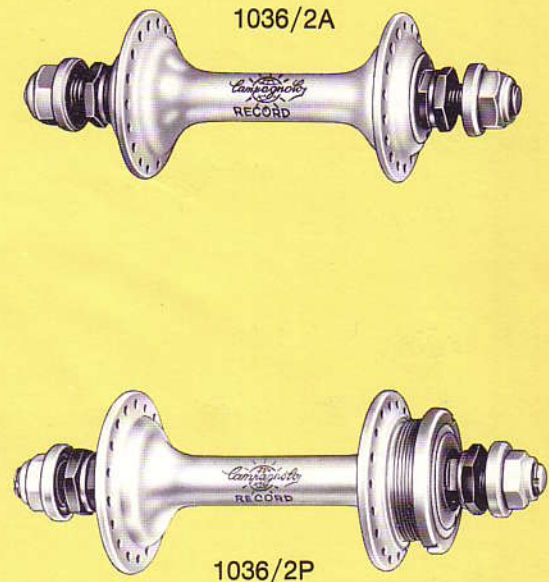
- 1036** Pair Record large flange solid spindle track hubs (front width 100 mm., rear width 120 mm., flanges with 36 holes, thread $\varnothing 35 \times 24F.$). Upon request furnished with rear hub width 110 mm., flanges with 24 - 28 - 32 - 40 holes, thread $\varnothing 34,7 \times 1M.$ or $\varnothing 1,370'' \times 24$ Tpi-BSC
- 1036/A** Record track large flange front hub
- 1036/P** Record track large flange rear hub

- 1036/2** Pair Record small flange solid spindle track hubs (front width 100 mm., rear width 120 mm., flanges with 36 holes, thread $\varnothing 35 \times 24F.$). Upon request furnished with rear hub width 110 mm., flanges with 24 - 28 - 32 - 40 holes, thread $\varnothing 34,7 \times 1M.$ or $\varnothing 1,370'' \times 24$ Tpi-BSC
- 1036/2A** Record track small flange front hub
- 1036/2P** Record track small flange rear hub

1036



1036/2



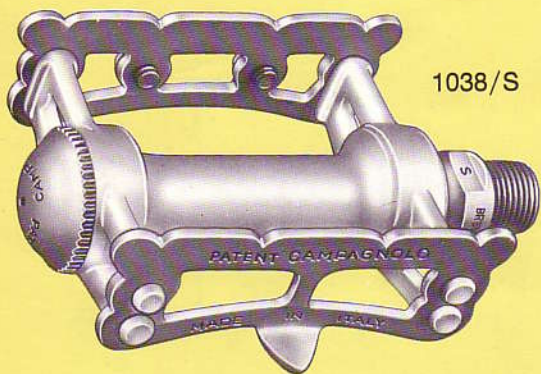
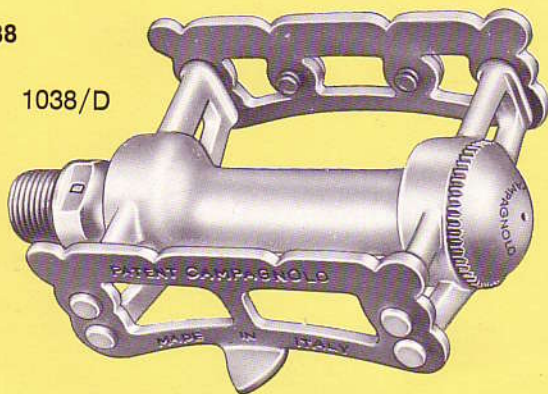
- 1** Front lock nut
19/P Front track solid spindle axle
25/R Front cone
29/P Rear track solid spindle axle
32/R Rear cone
33/P Rear lock nut
35 Front hub lock washer
36 Rear hub lock washer
667 Track front nut
668 Track rear nut
737 Front ball cup
738 Rear ball cup
739 Front dust cover
740 Rear dust cover
743 Track lock ring
1001/4P Complete front axle for Record track hub
1006/5P Complete rear axle for Record track hub
2104 Set (9+9) special $\varnothing 7/32''$ balls selected with 1/1000 of mm. tolerance
2106 Set (9+9) special $\varnothing 1/4''$ balls selected with 1/1000 of mm. tolerance

PARTICULAR COMPONENTS OF CAMPAGNOLO RECORD TRACK GROUP 1033

- 1038 Pair Record track pedals (spindle thread \varnothing 9/16" x 20F.). Upon request furnished spindles threaded M.14 x 1,25
- 1038/D Record track right hand pedal
- 1038/S Record track left hand pedal
- 1038/A Pair Record superlight track pedals
- 1038/AD Superlight Record track right hand pedal
- 1038/AS Superlight Record track left hand pedal
- 89 Locking screw for superlight pedals
- 669 Left hand pedal axle with thread \varnothing 9/16" x 20F. Upon request furnished with thread M.14 x 1,25

- 670 Right hand pedal axle with thread \varnothing 9/16" x 20F. Upon request furnished with thread M.14 x 1,25
- 672 Inserted race (available also in oversize)
- 673 Pedal axle washer
- 674 Pedal axle cone
- 675 Pedal axle lock nut
- 676 Toe clip bolt
- 677 Toe clip washer
- 678 Inner dust cap
- 679 Record pedal dust cap
- 679/A Dust cap for superlight pedals
- 2103 Set (48) special \varnothing 5/32" pedal balls selected with 1/1000 of mm. tolerance

1038



1038/A

