

RECORD ROAD GROUP	pages 30-31
RECORD GEAR - RECORD FRONT CHANGER AND ALTERNATIVE RECORD CONTROL LEVERS	pages 32-33-34-35
RECORD ROAD HUBS	page 36
RECORD AND SUPERLIGHT RECORD ROAD PEDALS	page 37
ROAD RECORD CHAINWHEEL SET AND BOTTOM BRACKET SET	pages 38-39
RECORD ROAD HEAD SET - RECORD SEAT PIN	page 40
FORK ENDS - SPECIAL CONNECTORS	page 41
RECORD BRAKES	pages 42-43



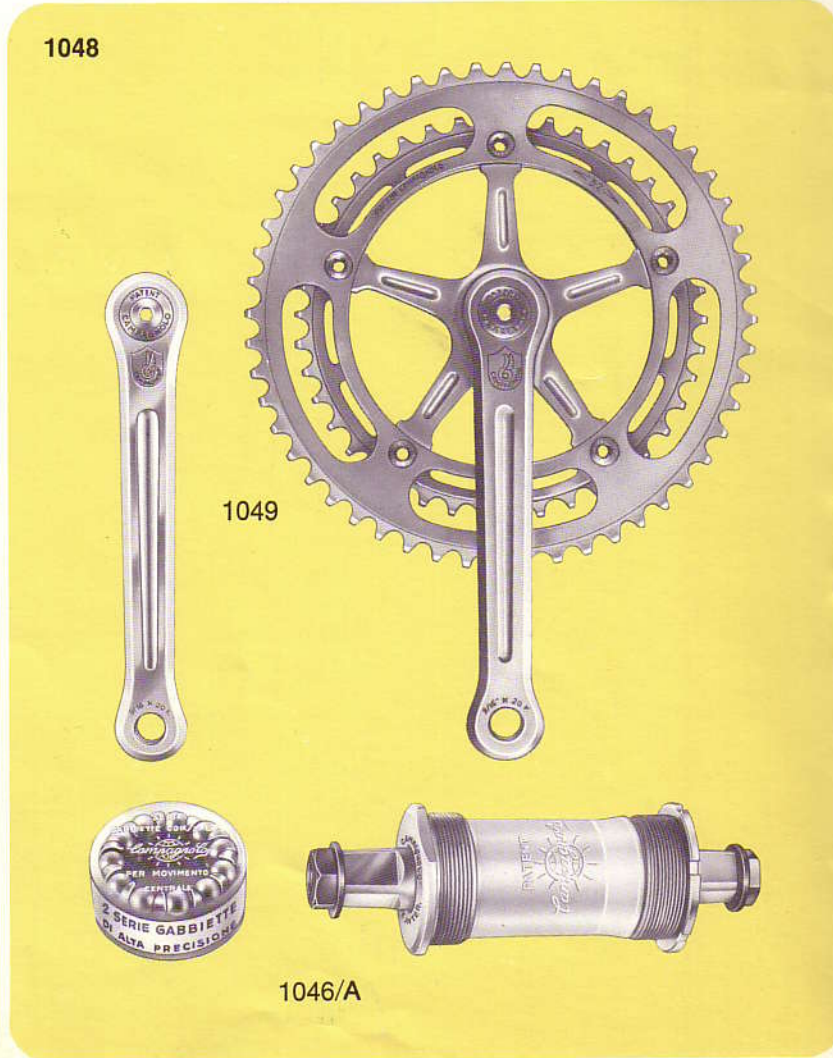
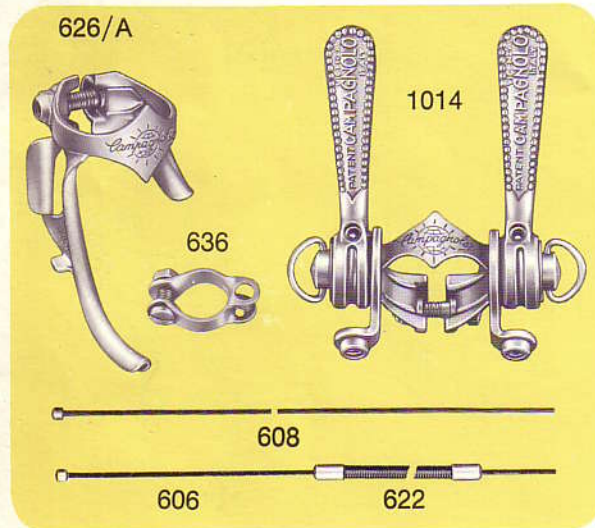
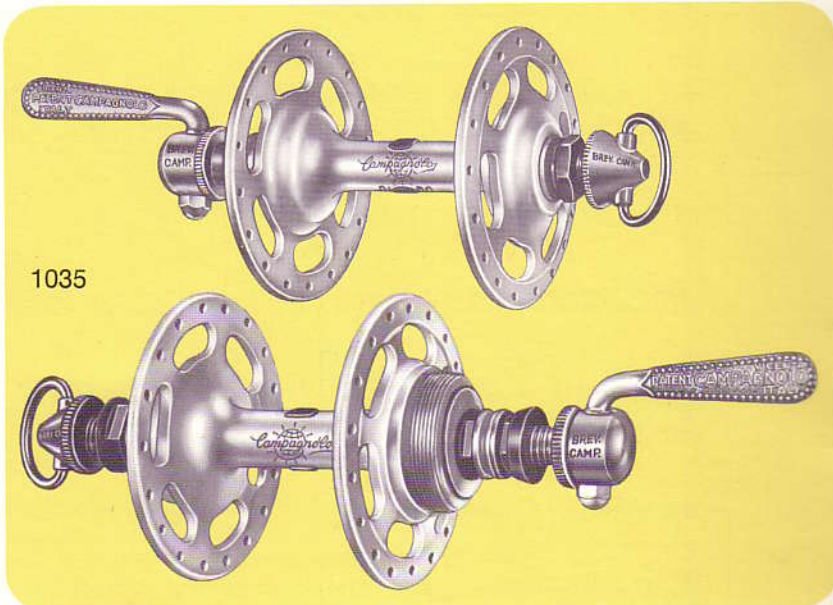
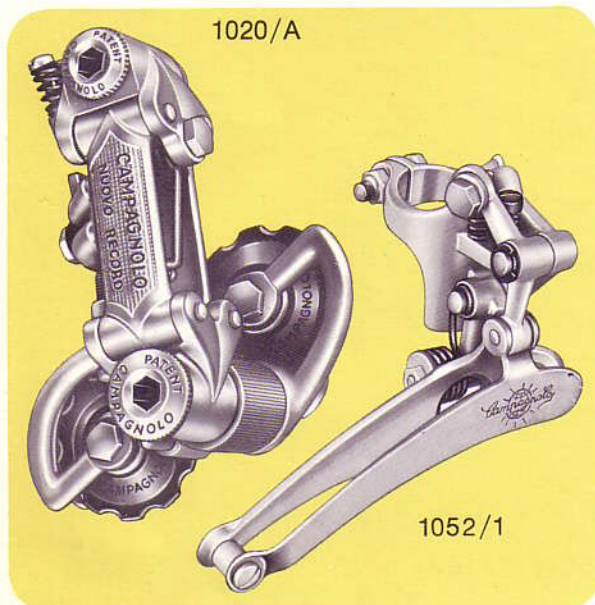
# 1032/F CAMPAGNOLO RECORD ROAD GROUP

(Particular components of this group are illustrated from page 32 to page 43)



- 606 Down tube control gear inner wire (118 cm.)
- 608 Down tube control front changer inner wire (72 cm.)
- 622 Gear stainless steel outer casing (21 cm.)
- 626/A Twin gear cable clip
- 636 Chainstay clip
- 649 Stainless steel brake cable clip
- 1010/A Set Record front and rear fork ends without eyelet.  
See alternatives on page 41
- 1014 Twin down tube control lever.

- 1020/A See alternatives on pages 34-35  
Nuovo Record gear (without hanger)
- 1030/2 Pump connector (thread M9 x 1,25). Any pump connectors shown on page 41 can be supplied instead
- 1035 Pair Record large flange quick release road hubs (front width 100 mm., rear width 120 mm., flanges with 36 holes, thread Ø 35 x 24F.). Upon request are furnished with rear hub suitable





for 6 sprockets, width 125 mm., flanges with 24 - 28 - 32 - 40 holes, thread  $\varnothing$  34.7 x 1M. or  $\varnothing$  1.370" x 24 Tpi-BSC.

1037 See other alternatives on page 36  
Pair Record road pedals with steel spindle (spindle thread  $\varnothing$  9/16" x 20F.). Upon request furnished spindles threaded M.14 x 1,25

1039 Record road head set (thread 25,4 x 24F.). Upon request furnished with thread

1044  $\varnothing$  25 x 1M. or 1" x 24 Tpi-BSC  
Seat pin. Specify diameter stem: 25 - 25,8 - 26 - 26,2 - 26,4 - 26,6 - 26,8 - 27 - 27,2 - 27,4 mm. and if pin length in 130 mm. normal or in 180 mm. long

1046/A Nuovo Record bottom bracket set (bracket width 70 mm. and cups threaded  $\varnothing$  36 x 24F.). See alternatives on pages 38-39

1048 Record road chainwheel set with Nuovo Record bottom bracket

1049 Record road chainset (with crank 170 mm. pedal hole  $\varnothing$  9/16" x 20F. and chainrings for chain 1/2" x 3/32" [2 mm.]). Specify the number of teeth of the chainrings available from 42T to 57T. Upon request furnished cranks with lengths 165 - 167,5 - 172,5 - 175 - 177,5 and 180 mm.

1052/1 Record front changer  
2040 Set Record brakes. See alternatives on pages 42-43



1039



1044



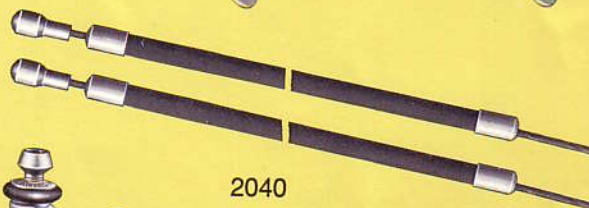
649

649

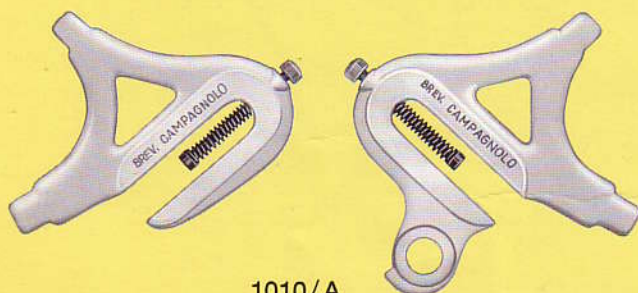
649



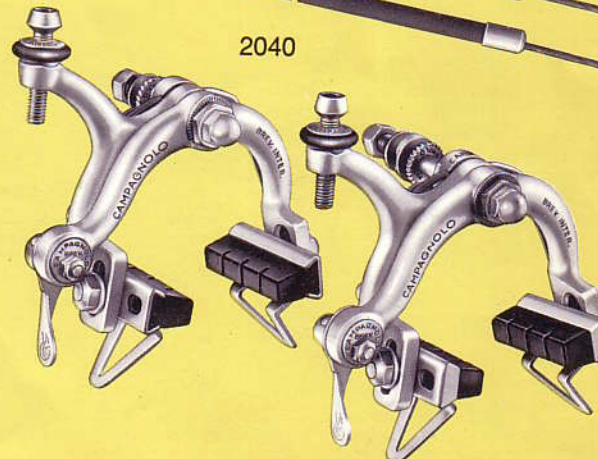
1030/2



2040



1010/A

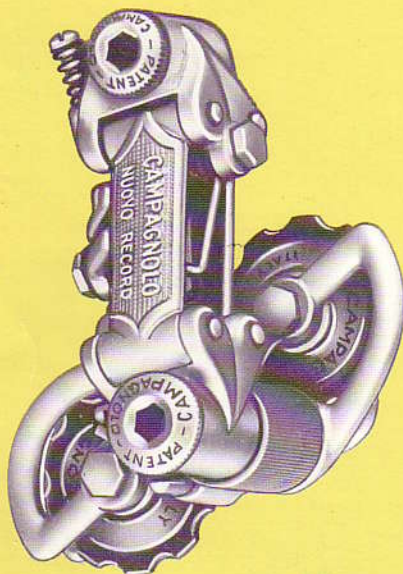




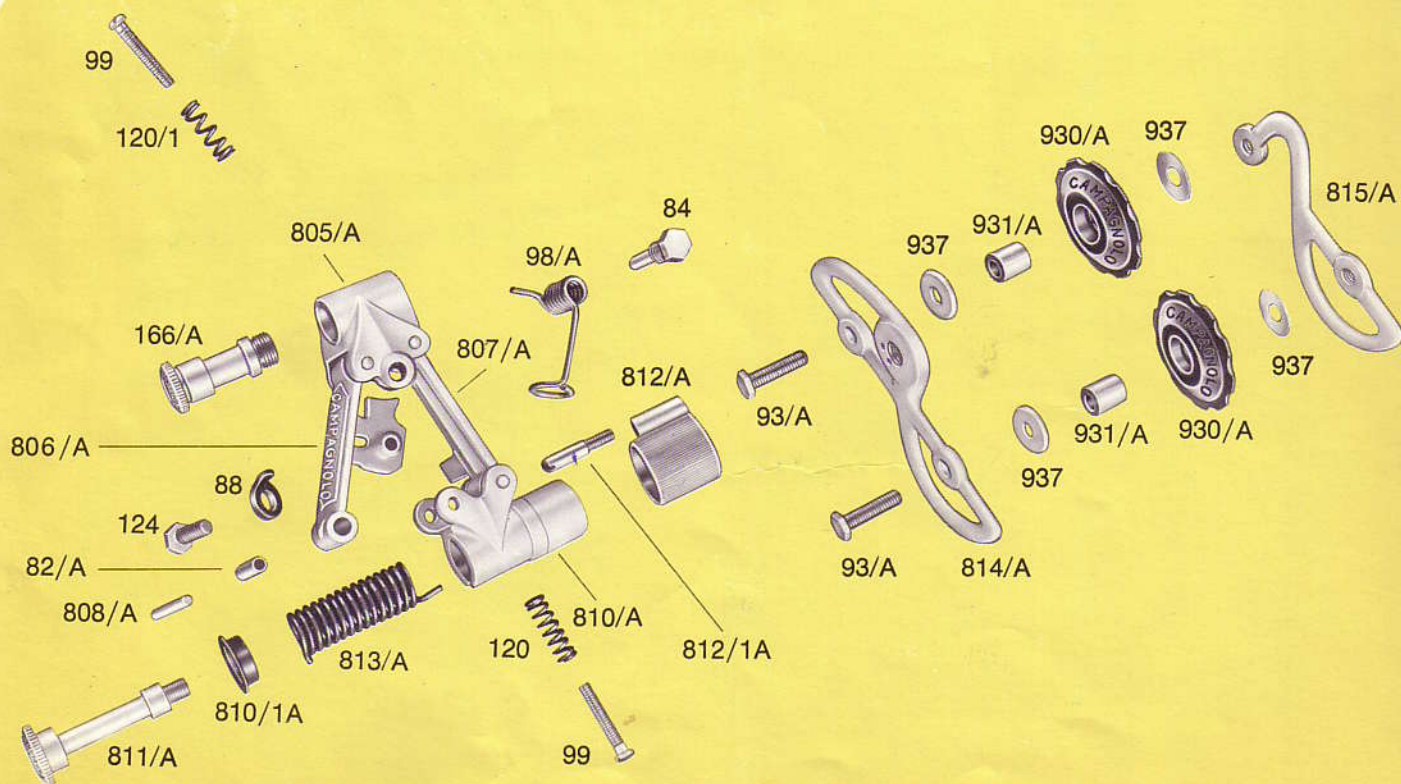
# PARTICULAR COMPONENTS OF CAMPAGNOLO RECORD ROAD GROUP 1032/F

1020/A Nuovo Record gear  
82/A Body ferrule  
84 Gear return spring screw  
88 Clamp washer  
93/A Sprocket bolt  
98/A Gear return spring  
99 Gear adjusting screw  
120 Lower adjuster spring  
120/1 Upper adjuster spring  
124 Fixing screw  
166/A Upper pivot bolt  
805/A Upper body  
806/A Front arm

807/A Inner arm  
808/A Spindle  
810/A Lower body  
810/1A Lower body bush  
811/A Gear spring bolt  
812/A Spring cage cover  
812/1A Grub screw  
813/A Tension spring  
814/A Outer cage plate  
815/A Inner cage plate  
930/A Roller  
931/A Roller bush  
937 Roller dust cover



1020/A

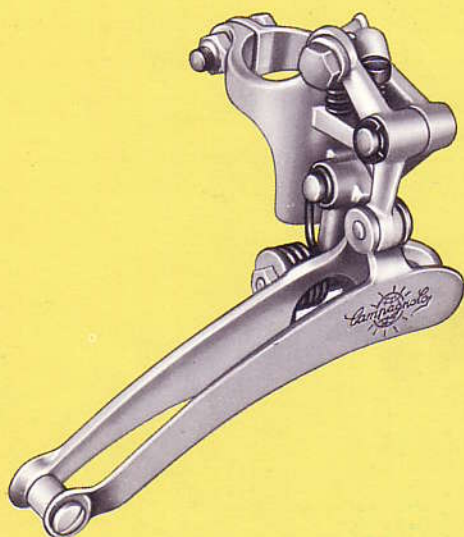




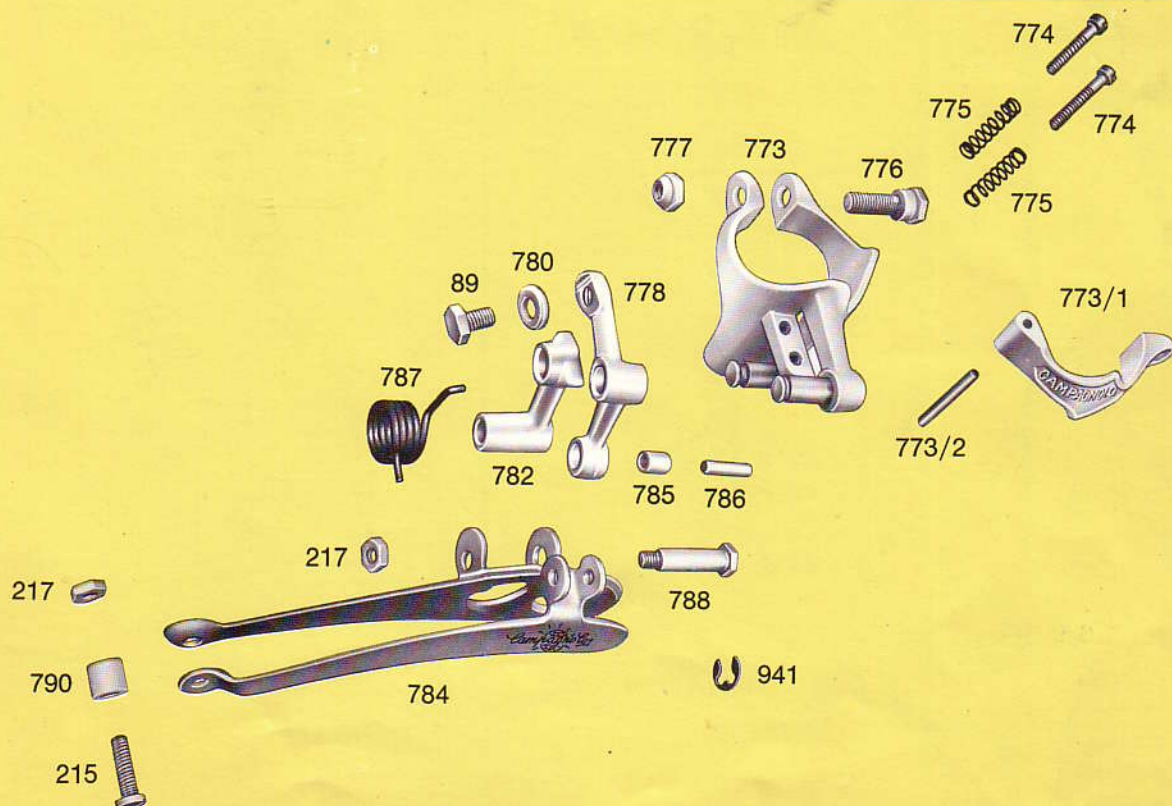
# PARTICULAR COMPONENTS OF CAMPAGNOLO RECORD ROAD GROUP 1032/F

1052/1	Record front changer
89	Locking screw
215	Cage spacing bolt
217	Cage spacer bolt nut
773	Record front changer body (complete with clip and hinge)
773/1	Hinge
773/2	Hinge pin
774	Adjusting screw
775	Adjusting bolt spring
776	Clip fixing screw

777	Nut
778	Upper arm
780	Cable clamp bolt washer
782	Lower arm
784	Front changer cage
785	Ferrule for front changer cage
786	Spindle for front changer cage
787	Front changer return spring
788	Cage shank bolt
790	Bush
941	Circlip



1052/1

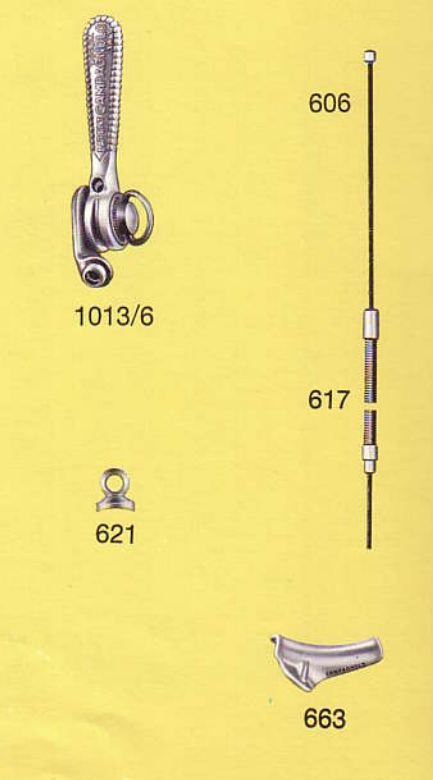
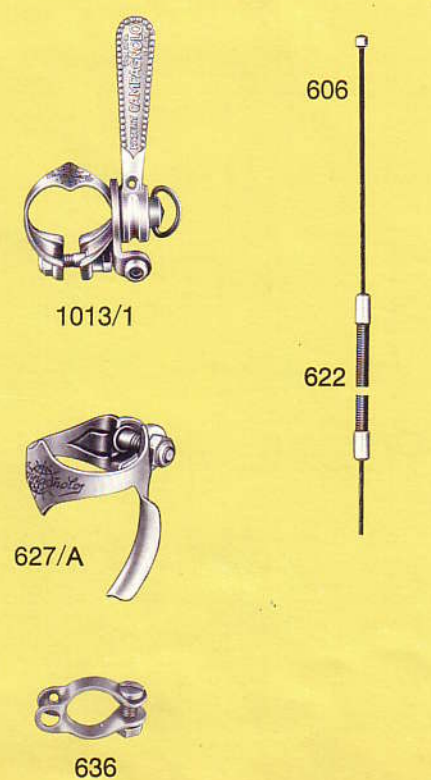
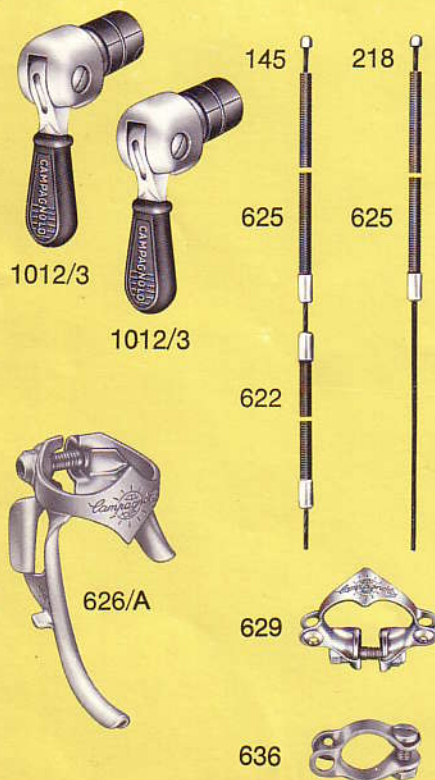
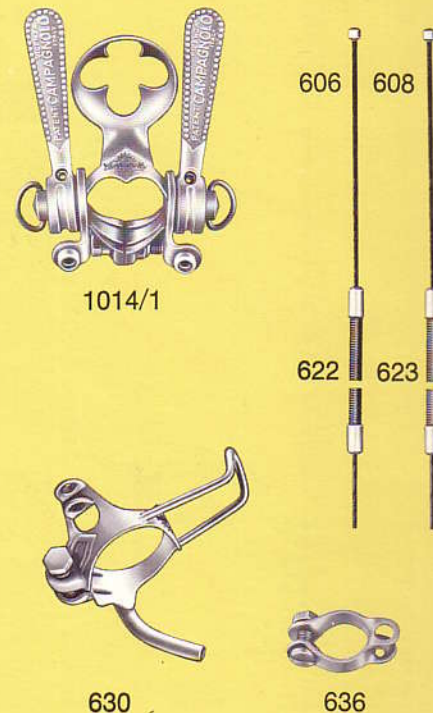
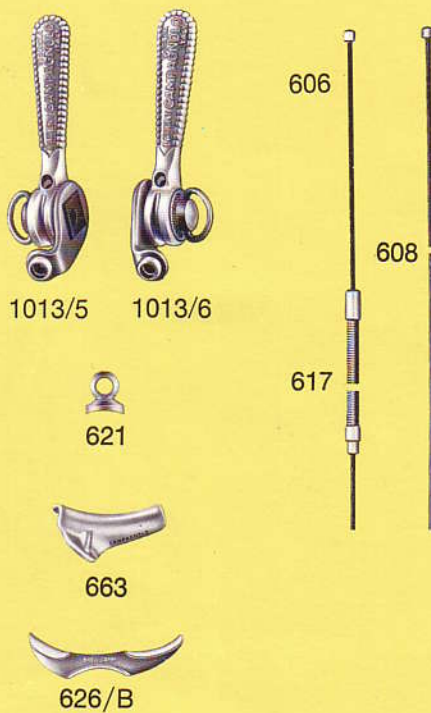
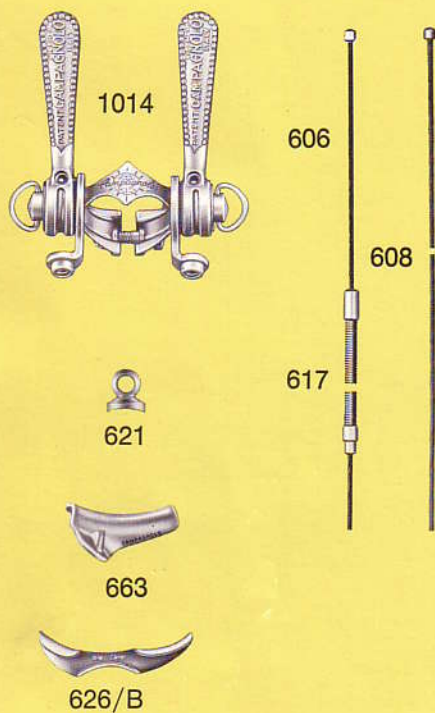




# PARTICULAR COMPONENTS OF CAMPAGNOLO RECORD ROAD GROUP 1032/F

- 137 Segment expanding screw
- 138 Segment
- 139/1 Counter-nut
- 139/2 Hexagonal screw
- 140/1 Tension adjusting screw
- 142 Spring segment holder
- 145 Gear cable to handlebar control (197 cm.)
- 173 Handlebar lever rubber
- 174 Handlebar friction plate
- 174/1 Lever friction plate
- 200/2 Handlebar control body
- 201 Handlebar lever

- 218 Front changer cable to handlebar control (150 cm.)
- 600 Right hand collar (without screw and nut)
- 600/2 Right hand braze-on control lever plate
- 601 Gear control lever only
- 602 Front changer control lever only
- 603 Cover plate
- 604/1 Friction adjusting wing nut
- 606 Down tube control gear inner wire (118 cm.)

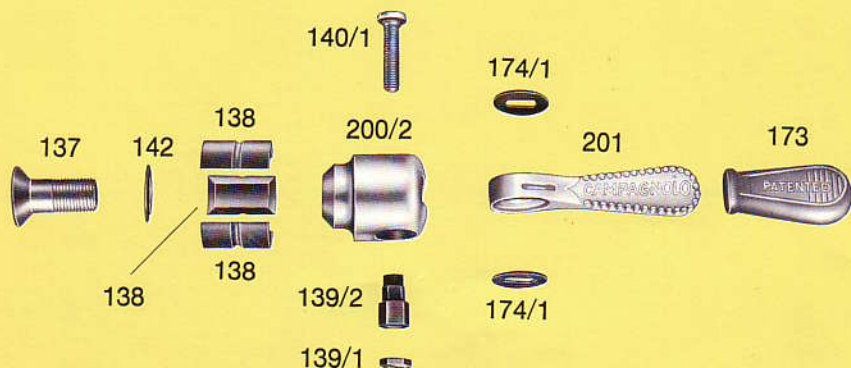
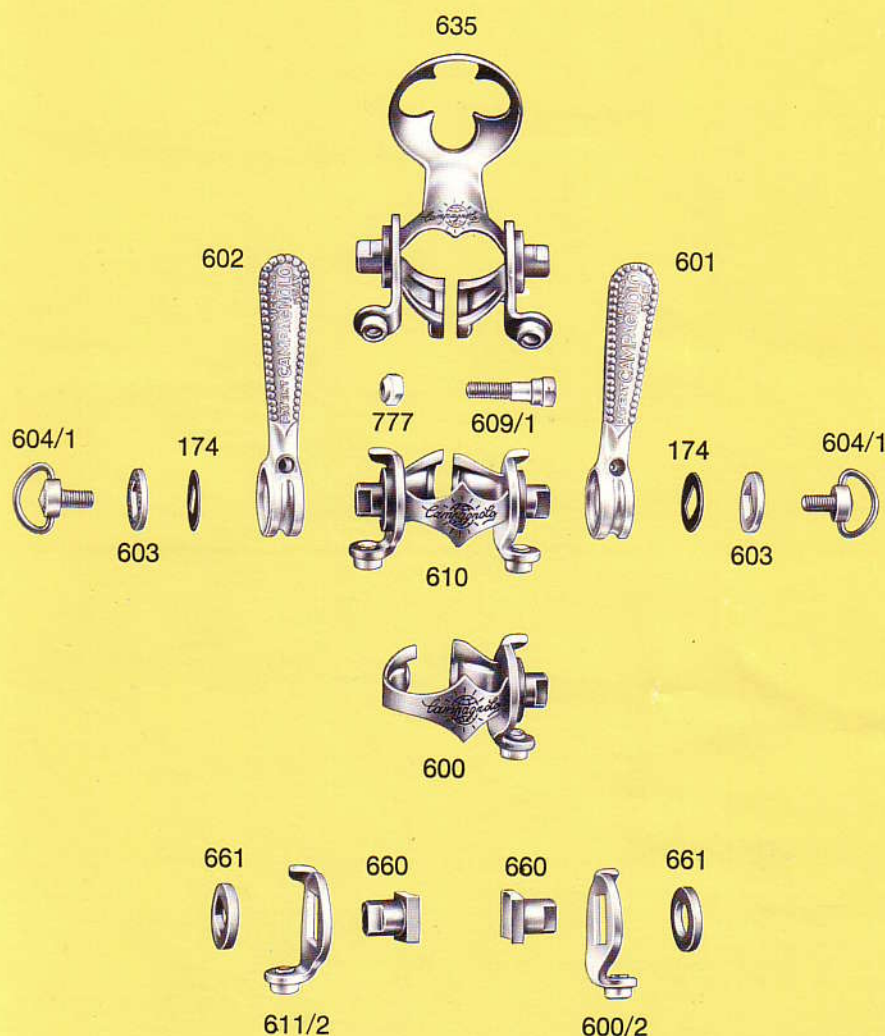




608 Down tube control front changer  
inner wire (72 cm.)  
609/1 Fixing clip bolt  
610 Record twin control clip  
611/2 Left hand braze-on control  
lever plate  
617 Braze-on gear stainless steel  
outer casing (21 cm.)  
621 Braze-on cable stop  
622 Gear stainless steel outer casing  
(21 cm.)  
623 Front changer stainless steel

625 outer casing (15.5 cm.)  
Stainless steel outer casing to  
down tube handlebar control  
(75 cm.)  
626/A Twin gear cable clip  
626/B Braze-on cable ferrule  
627/A Down tube tunnel R/H for gear  
629 Twin handlebar control clip  
630 Clip-on-tunnel and stop with  
pump holder D/T  
635 Pump holder twin control Record  
lever bosses

636 Chainstay clip  
660 Braze-on boss  
661 Brazed boss collar  
663 Braze-on cable ferrule  
777 Nut  
1012/3 Handlebar control  
1013/1 Right hand down tube control  
1013/5 Front changer braze-on control  
1013/6 Gear braze-on control  
1014 Twin down tube control lever  
1014/1 Twin down tube control lever  
with pump holder





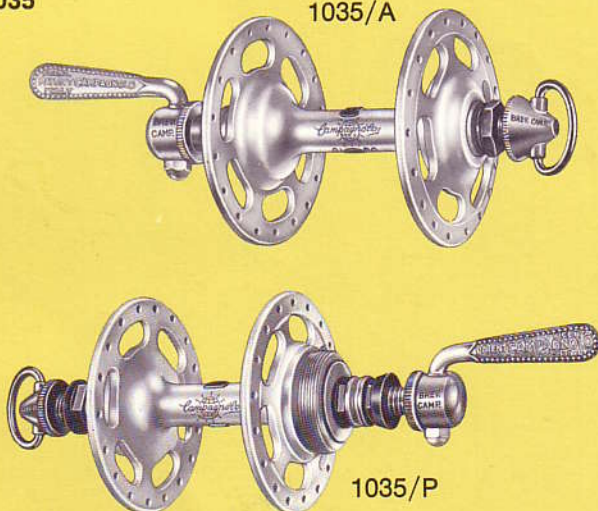
# PARTICULAR COMPONENTS OF CAMPAGNOLO RECORD ROAD GROUP 1032/F

- 1034** Pair Record small flange quick release road hubs (front width 100 mm. - rear width 120 mm., flanges with 36 holes, thread  $\varnothing 35 \times 24F$ ). Upon request furnished with rear hub suitable for 6 sprockets, width 125 mm., flanges with 24 - 28 - 32 - 40 holes, thread  $\varnothing 34,7 \times 1M$ . or  $\varnothing 1,370'' \times 24$  Tpi-BSC
- 1034/A** Record road small flange front hub
- 1034/P** Record road small flange rear hub

- 1035** Pair Record large flange quick release road hubs (front width 100 mm. - rear width 120 mm., flanges with 36 holes, thread  $\varnothing 35 \times 24F$ ). Upon request furnished with rear hub suitable for 6 sprockets, width 125 mm., flanges with 24 - 28 - 32 - 40 holes, thread  $\varnothing 34,7 \times 1M$ . or  $\varnothing 1,370'' \times 24$  Tpi-BSC
- 1035/A** Record road large flange front hub
- 1035/P** Record road large flange rear hub

1035

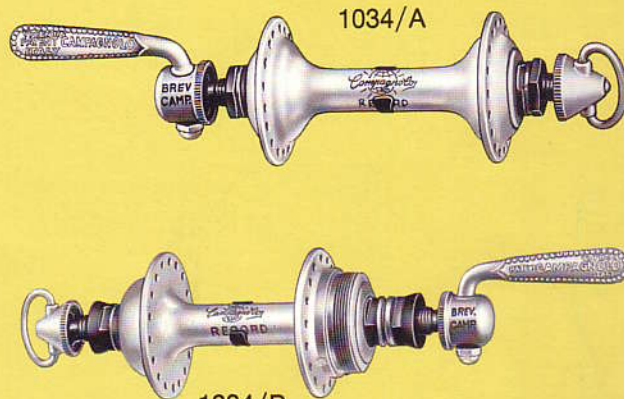
1035/A



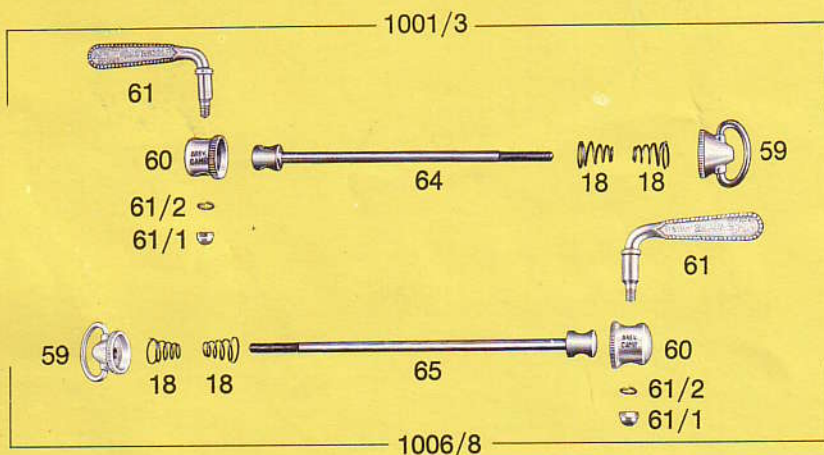
1035/P

1034

1034/A



1034/P



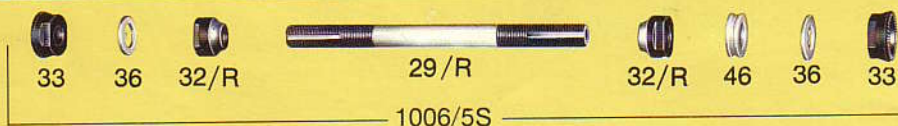
1006/8



1001/4S



1006/5S



- 1** Front lock nut
- 18** Conical spring
- 19** Front hollow axle
- 25/R** Front cone
- 29/R** Rear hollow axle (129 mm. long). Upon request are furnished spindles 132 - 134 and 140 mm. long
- 32/R** Rear cone
- 33** Rear lock nut
- 35** Front hub lock washer
- 36** Rear hub lock washer
- 46** Rear spacing collar
- 59** Quick release conical adjuster
- 60** Quick release cap
- 61** Quick release lever
- 61/1** Domed nut
- 61/2** Grower washer
- 64** Quick release front skewer
- 65** Quick release rear skewer
- 737** Front ball cup
- 738** Rear ball cup
- 739** Front dust cover
- 740** Rear dust cover
- 741** Spring clip
- 1001/3** Complete front quick release skewer for Record hub
- 1001/4S** Complete front axle for Record road hub
- 1006/5S** Complete rear axle for Record road hub
- 1006/8** Complete rear quick release skewer for Record hub
- 2104** Set (9+9) special  $\varnothing 7/32''$  balls selected with 1/1000 of mm. tolerance
- 2106** Set (9+9) special  $\varnothing 1/4''$  balls selected with 1/1000 of mm. tolerance



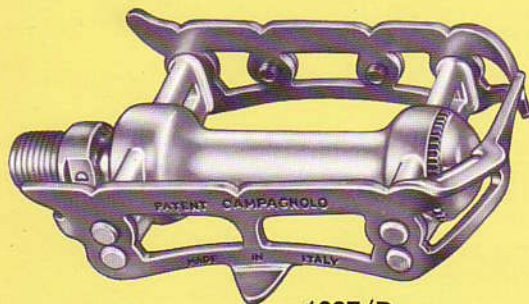
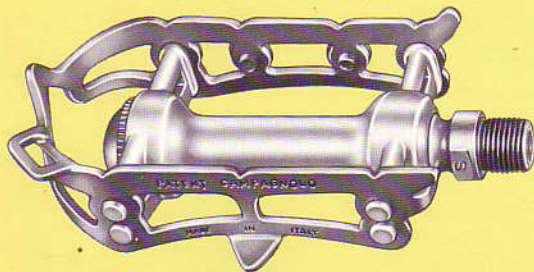
# PARTICULAR COMPONENTS OF CAMPAGNOLO RECORD ROAD GROUP 1032/F

- 1037** Pair Record road pedals (spindle thread  $\varnothing$  9/16" x 20F.). Upon request are furnished threaded M.14 x 1,25
- 1037/D** Record road right hand pedal
- 1037/S** Record road left hand pedal
- 1037/A** Pair superlight Record road pedals
- 1037/AD** Superlight Record road right hand pedal
- 1037/AS** Superlight Record road left hand pedal
- 89** Locking screw for superlight pedal
- 669** Left hand pedal axle with thread  $\varnothing$  9/16" x 20F. Upon request are furnished with

- thread M.14 x 1,25
- 670** Right hand pedal axle with thread  $\varnothing$  9/16" x 20F. Upon request are furnished with thread M.14 x 1,25
- 672** Inserted race (available also in oversize)
- 673** Pedal axle washer
- 674** Pedal axle cone
- 675** Pedal axle lock nut
- 676** Toe clip bolt
- 677** Toe clip washer
- 678** Inner dust cap
- 679** Record pedal dust cap
- 679/A** Superlight pedal dust cap
- 2103** Set (48) special  $\varnothing$  5/32" pedal balls selected with 1/1000 of mm. tolerance

**1037**

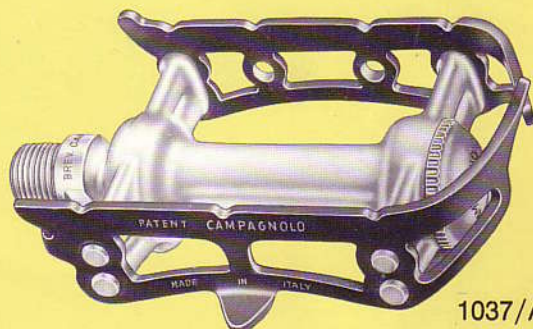
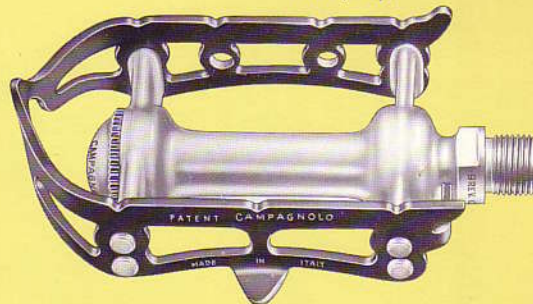
**1037/S**



**1037/D**

**1037/A**

**1037/AS**



**1037/AD**



**672**



**672**



**674**



**673**



**675**



**678**



**679**



**89**



**677**



**676**



**2103**



**679/A**



**669**



**670**

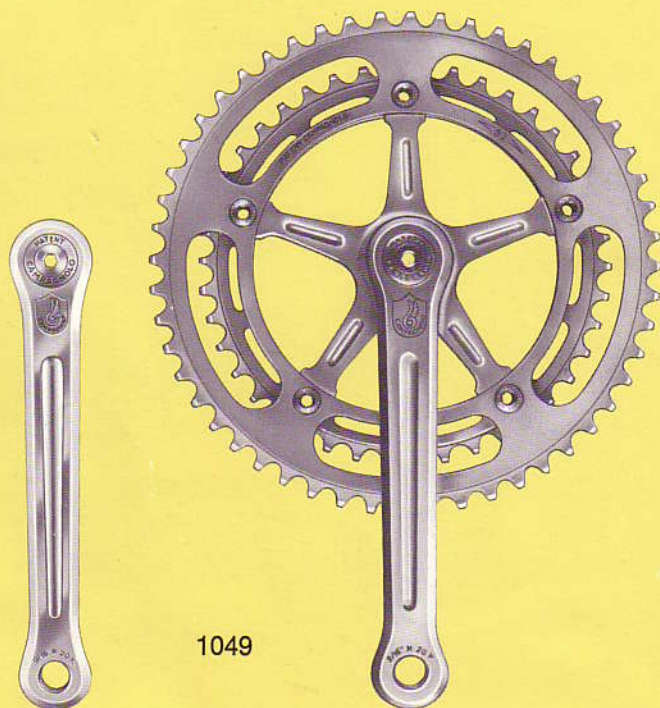


# PARTICULAR COMPONENTS OF CAMPAGNOLO RECORD ROAD GROUP 1032/F

- 1048** Record road chainwheel set with Nuovo Record bottom bracket
- 1049** Record road chainset (with cranks 170 mm., pedal hole  $\varnothing$  9/16" x 20F. and chainrings for chain 1/2" x 3/32" [2 mm]). Specify the number of teeth of the chainrings available from 42T to 57T. Upon request furnished cranks with lengths 165 - 167,5 - 172,5 -

- 175 - 177,5 and 180 mm.
- 1046/A** Nuovo Record bottom bracket set (bracket width 70 mm. and cups threaded  $\varnothing$  36 x 24F.).
- 744/A** Nuovo Record cotterless road spindle. See measurements and indicate spindle size
- 745/A** Fixed cup. Indicate required thread
- 746/A** Adjustable cup. Indicate required thread
- 747** Lockring with normal 3,5 mm.

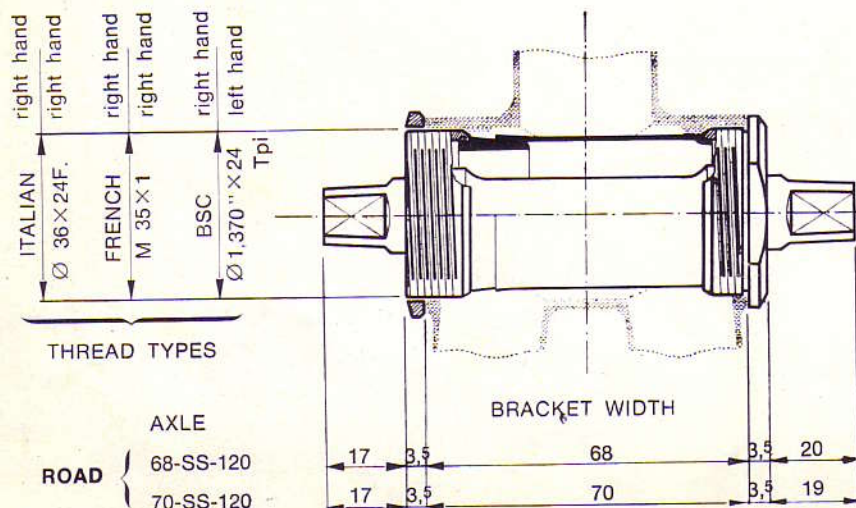
1048



1049



1046/A



Details of bracket number:

- The first number indicates the bracket width
- SS indicates road
- Number 120 indicates the suggested width of the rear hub for a perfect chain alignment (see pages 92-93)

**UPON REQUEST WE SUPPLY THE CUPS WITH THREAD INCREASED BY 0,5 mm.**



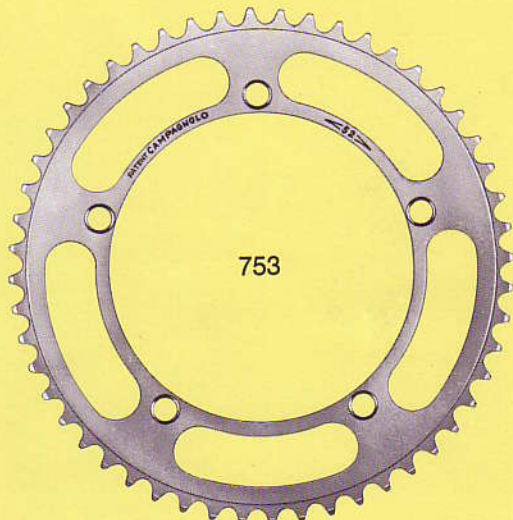
thickness (available also with 4 mm. and 4,5 mm. thickness).  
 Indicate required thread  
 748 Fixing screw  
 749 Fixing washer  
 751 Right hand road crank (complete with cover 756, 170 mm. long). Upon request are furnished in the following sizes: 165 - 167,5 - 172,5 - 175 -

752 177,5 and 180 mm. long  
 Left hand road crank (complete with cover 756, 170 mm. long). Upon request are furnished in the following sizes: 165 - 167,5 - 172,5 - 175 - 177,5 and 180 mm. long  
 753 Road chainring for 1/2" x 3/32" (2 mm.) chain. Specify the number of teeth available from

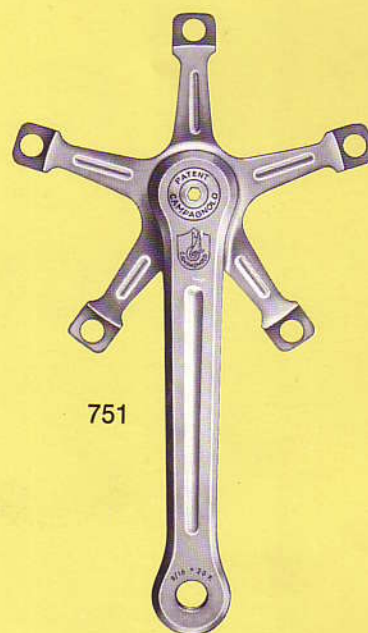
754 42T to 57T  
 Road chainwheel fastening screw  
 755 Road chainwheel fastening nut  
 756 Crank cover plate  
 801 Spacer for single chainring  
 2100 Set (11+11) special  $\varnothing$  1/4" balls selected with 1/1000 of mm. tolerance  
 2110 Record sleeve  
 2110/1 Cone for sleeve



752



753



751



756



755



754



801



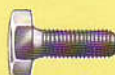
2110/1



2110



2100



748



749



747



746/A



744/A



745/A



749



748



# PARTICULAR COMPONENTS OF CAMPAGNOLO RECORD ROAD GROUP 1032/F

- 1039 Record road head set  
thread (25,4 x 24F.). Upon request  
are furnished with thread  
Ø 25 x 1M. or 1" x 24 Tpi-BSC
- 681 Locking nut  
(specify type of threading)
- 682 Locking washer
- 683 Screwed road race  
(specify type of threading)

- 684 Road top head race  
(0,5 mm. larger gauge available)
- 685 Road bottom head race  
(0,5 mm. larger gauge available)
- 686 Road crown race  
(smaller diameter available)
- 2101 Set bearings with (20+20)  
special b/b Ø 3/16" balls  
selected with 1/1000 of mm.  
tolerance

1039



1044

- 1044 Seat pin. Specify diameter stem:  
25 - 25,8 - 26 - 26,2 - 26,4 -  
26,6 - 26,8 - 27 - 27,2 - 27,4 mm.  
and if pin length in 130 mm.  
normal or in 180 mm. long
- 698 Front bracket
- 699 Rear bracket
- 700 Bolt nut
- 701 Left hand side support
- 702 Right hand side support
- 703 Fixing and adjusting bolt





# PARTICULAR COMPONENTS OF CAMPAGNOLO RECORD ROAD GROUP 1032/F

- 1010 Set Record front and rear fork ends
- 1010/A Set Record front and rear fork ends without eyelet
- 2 Record right and left hand fork ends
- 2/A Record right and left hand fork ends without eyelet
- 124 Fixing screw
- 300 Record left hand rear end
- 300/A Record left hand rear end without eyelet
- 301 Record right hand rear end
- 301/A Record right hand rear end without eyelet
- 302 Adjusting bolt
- 302/1 Nut for bolt 302
- 303 Adjusting bolt spring
- 640 Rubber cap
- 641 Milled nut
- 642 Rubber washer
- 643 Rubber washer for tubular valves

- 644 Rubber washer for pump connector 1030
- 645 Connecting screw
- 646 Rubber washer for pump connectors 1030/1 and 1030/2
- 653 Rubber washer for pump connector 1030/3
- 677 Washer
- 1030 Pump connector with  $\varnothing 7/32''$  or M7 x 1 locking screw
- 1030/1 Pump connector with M9 x 1,25 locking screw
- 1030/2 Pump connector with M9 x 1,25 locking screw
- 1030/3 Pump connector with M5 x 1 or M7 x 1 locking screw (French type)
- 3346 Superlight pump connector with M9 x 1,25 locking screw
- 3349 Cover for superlight pump connector
- 3351 Washer for superlight pump connector

1010



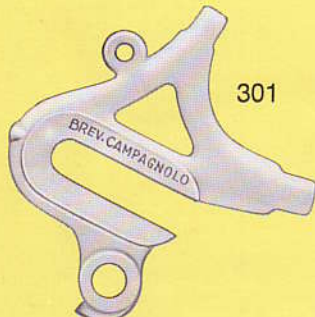
124



677



300



301



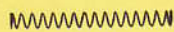
2



2



302

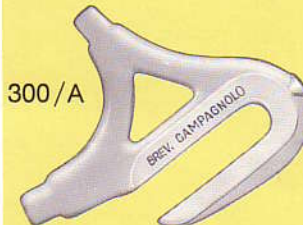


303

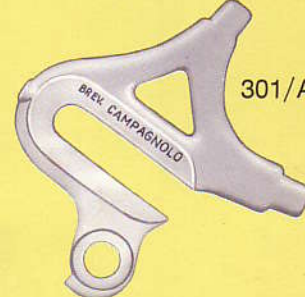


302/1

1010/A



300/A



301/A



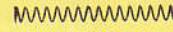
2/A



2/A



302



303



302/1



1030



1030/1



1030/2



1030/3



3346



643



644



646



653



645



645



642



641



3351



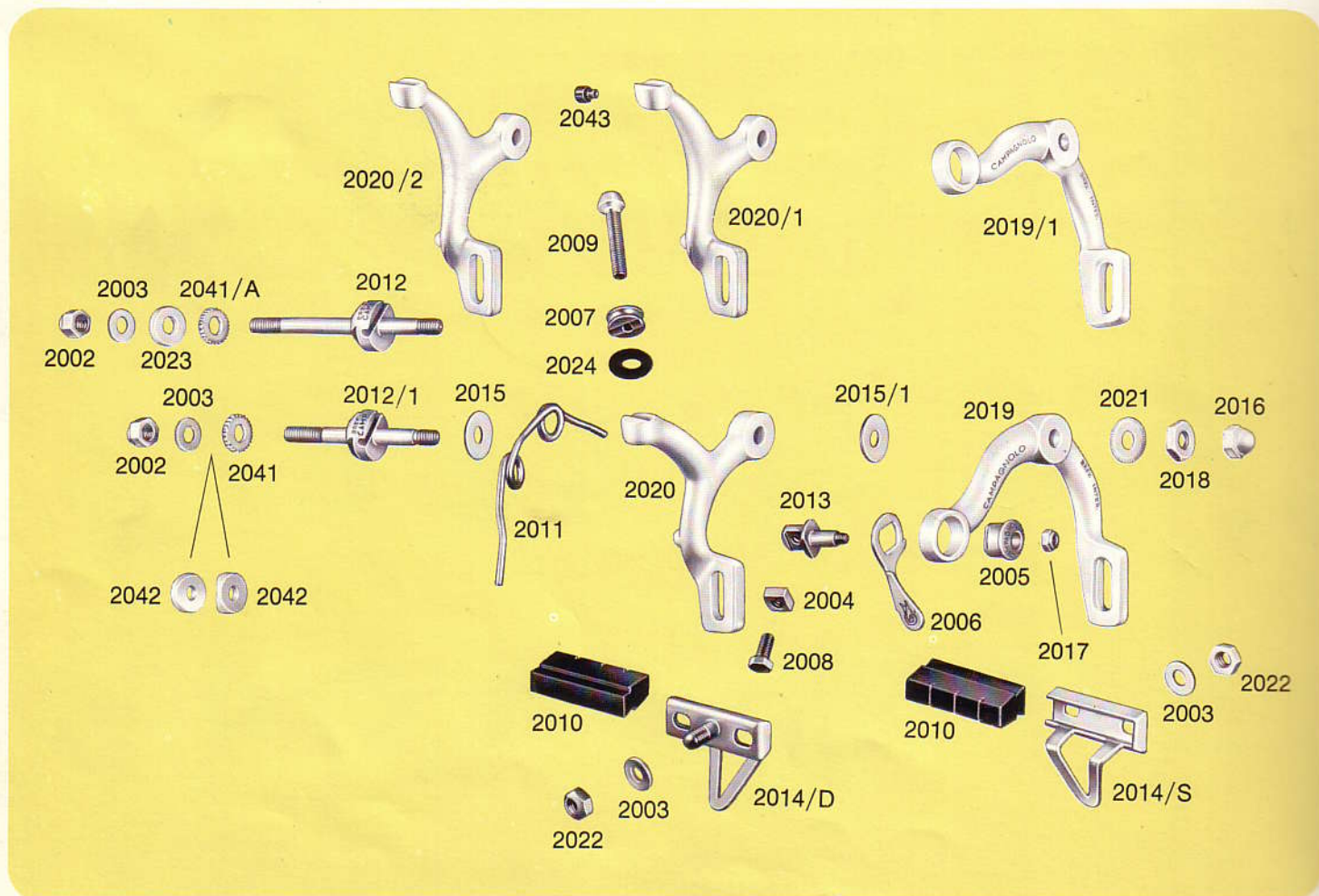
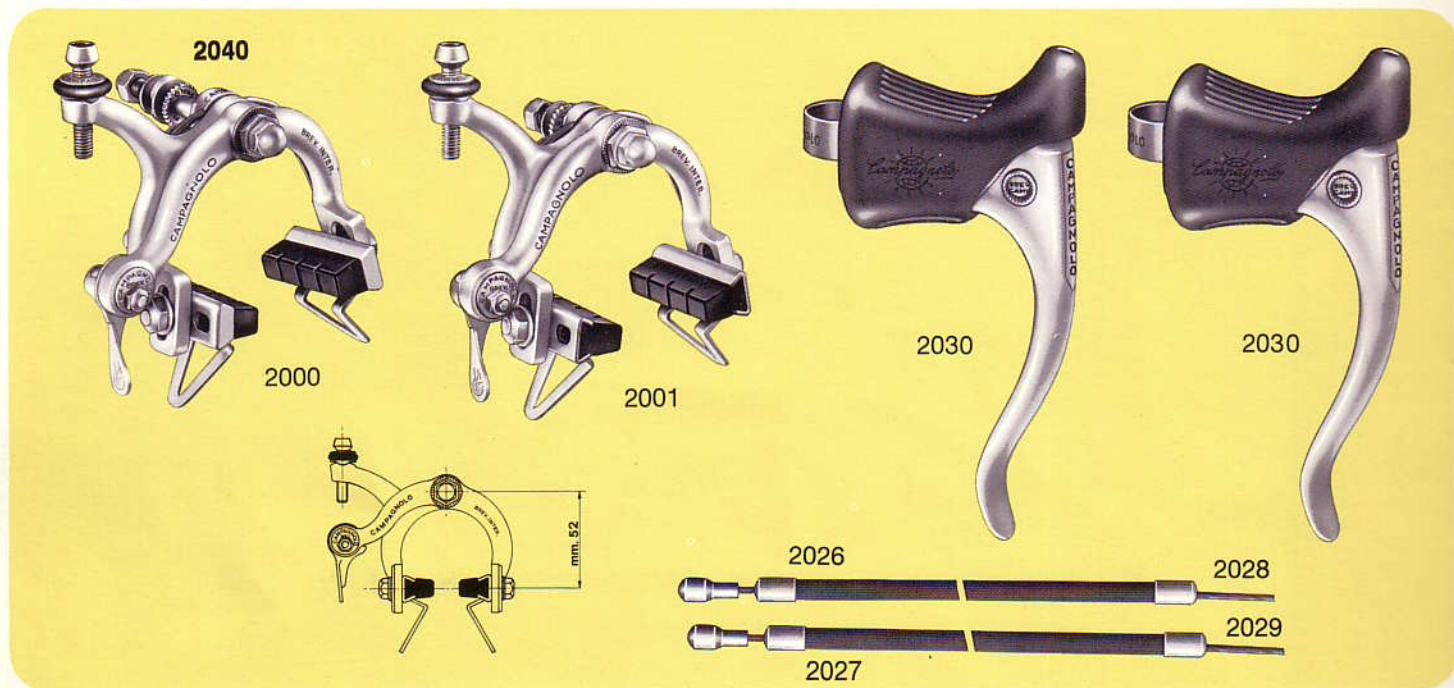
3349



# PARTICULAR COMPONENTS OF CAMPAGNOLO RECORD ROAD GROUP 1032/F

2040 Set Record brakes  
2040/1 Set Record small brakes  
2030 Brake lever  
2000 Front brake  
2000/1 Small front brake  
2001 Rear brake  
2001/1 Small rear brake  
2002 Center bolt fixing nut  
2003 Washer  
2004 Clamp bolt washer  
2005 Cam

2006 Quick release cam lever  
2007 Adjusting nut  
2008 Cable clamp bolt  
2009 Adjusting screw  
2010 Brake block  
2011 Tension spring  
2012 Front brake center bolt  
2012/1 Rear brake center bolt  
2013 Cable clamp  
2014/D Right hand brake shoe  
2014/S Left hand brake shoe





2015 Friction washer  
 2015/1 Inner friction washer  
 2016 Domed nut  
 2017 Cam locking nut  
 2018 Locking nut  
 2019 Stirrup arm  
 2019/1 Small brake front stirrup  
 2020 Rear stirrup  
 2020/1 Small front brake rear stirrup  
 2020/2 Small rear brake rear stirrup  
 2021 Milled washer

2022 Brake shoe nut  
 2023 Concave washer for front brake  
 2024 Adjusting rubber  
 2026 Front brake outer casing (61 cm.)  
 2027 Rear brake outer casing (119 cm.)  
 2028 Front inner cable (73 cm.)  
 2029 Rear inner cable (131 cm.)  
 2031 Lever hood  
 2032 Lever control  
 (complete with cable holder 2035)  
 2033 Brake lever clip

2034 Lever pivot pin  
 2036 Grub screw  
 2037 Clamp nut  
 2038 Lever bush  
 2039 Rubber lever hood  
 2041 Serrated washer for rear brake  
 2041/A Serrated washer for front brake  
 2042 Concave washer for rear brake.  
 (Upon request is furnished  
 for round breast band)  
 2043 Lever rubber for small brake

