

GRAN SPORT GROUP

pages 54-55

NUOVO GRAN SPORT GEAR - FRONT CHANGERS
WITH ALTERNATIVE GRAN SPORT CONTROL LEVERS

pages 56-57-58-59-60

NUOVO TIPO HUBS

page 61

ROAD SPORT CHAINWHEEL SET AND
BOTTOM BRACKET SET

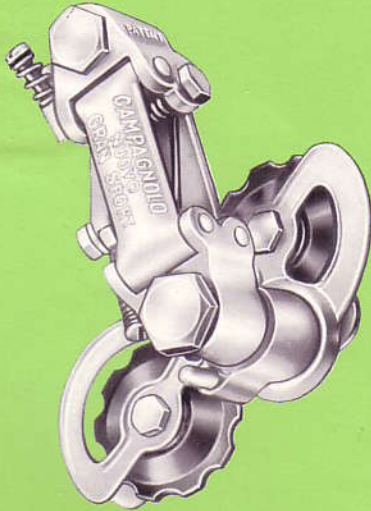
pages 62-63

SPORT HEAD SET - FORK ENDS

page 64

2240 CAMPAGNOLO GRAN SPORT GROUP

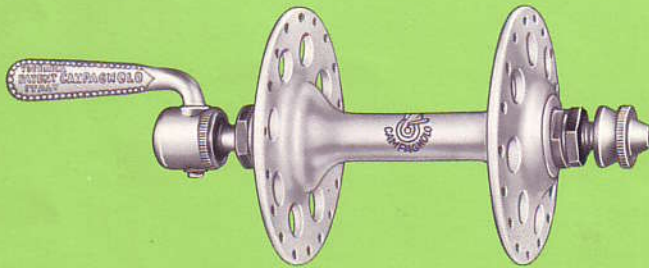
(Particular components of this group are illustrated from page 56 to page 64)



3500



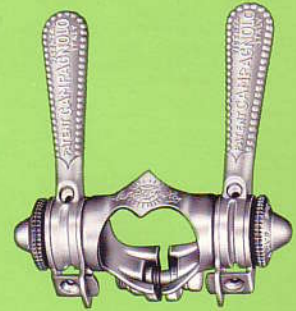
2050



1253



- 606 Down tube control gear inner wire (118 cm.)
- 608 Down tube control front changer inner wire (72 cm.)
- 622 Gear stainless steel outer casing (21 cm.)
- 626/A Twin gear cable clip
- 636 Chainstay clip
- 1010 Set Record front and rear fork ends
- 1014/1A Gran Sport twin down tube control lever. See alternatives on pages 58-59



1014/1A



608

622

606



626/A



636

1040/A Sport head set (thread \varnothing 25,4 x 24F.). Upon request are furnished with thread \varnothing 25 x 1M. or \varnothing 1" x 24 Tpi-BSC
 1253 Pair Nuovo Tipo large flange quick release hubs (front width 100 mm., rear width 120 mm., flanges with 36 holes, thread \varnothing 35 x 24F.). Upon request furnished with thread \varnothing 34,7 x 1M. or \varnothing 1,370" x 24 Tpi-BSC. See other alternatives on page 61

2050 Front changer. See alternatives on page 60
 3320/A Sport road chainset (with cranks 170 mm., pedal hole \varnothing 9/16" x 20F. and fixed couple of chainrings for chain 1/2" x 3/32" [2 mm.]). Specify the number of teeth of the fixed couple of chainrings available as follows: 42/49T - 42/50T - 42/51T - 42/52T - 42/53T. Upon request

furnished cranks with pedal hole M.14 x 1,25
 3330/A Sport chainwheel set
 3331 Sport bottom bracket set (bracket width 70 mm. and cups threaded \varnothing 36 x 24F.). See alternatives on pages 62-63. Upon request is furnished the bracket safety sleeve ref. 2110 - 2110/1. See page 81
 3500 Nuovo Gran Sport gear (without hanger)

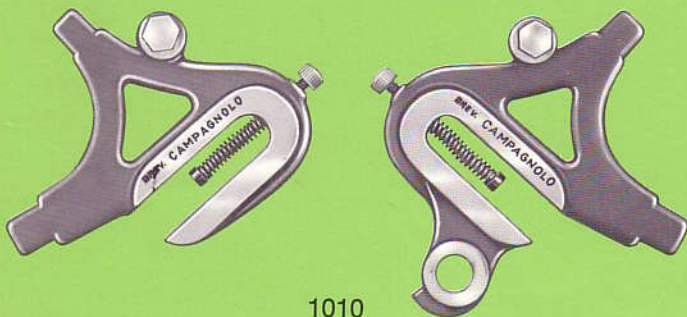
3330/A



3320/A



3331



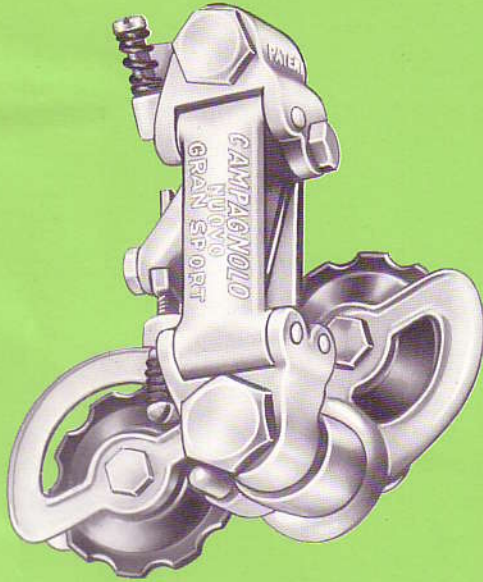
1010



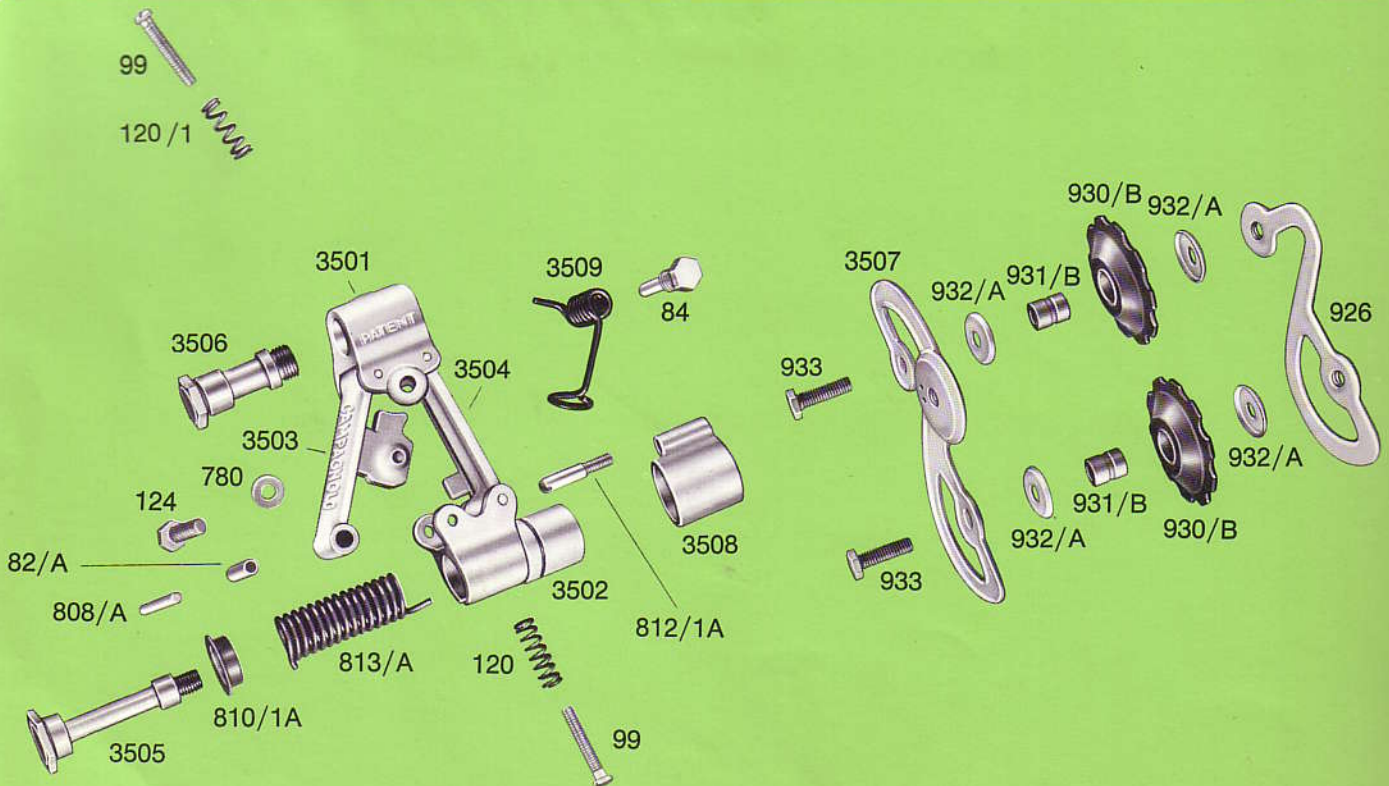
1040/A

PARTICULAR COMPONENTS OF CAMPAGNOLO GRAN SPORT GROUP 2240

3500	Nuovo Gran Sport gear (without hanger)	930/B	Roller
82/A	Body ferrule	931/B	Roller bush
84	Gear return spring screw	932/A	Roller dust cover
99	Gear adjusting screw	933	Roller bolt
120	Lower adjuster spring	3501	Upper body
120/1	Upper adjuster spring	3502	Lower body
124	Fixing screw	3503	Front arm
780	Cable clamp screw washer	3504	Inner arm
808/A	Spindle	3505	Spring cage bolt
810/1A	Lower body bush	3506	Upper pivot bolt
812/1A	Grub screw	3507	Outer cage plate
813/A	Tension spring	3508	Cover
926	Inner cage plate	3509	Gear return spring

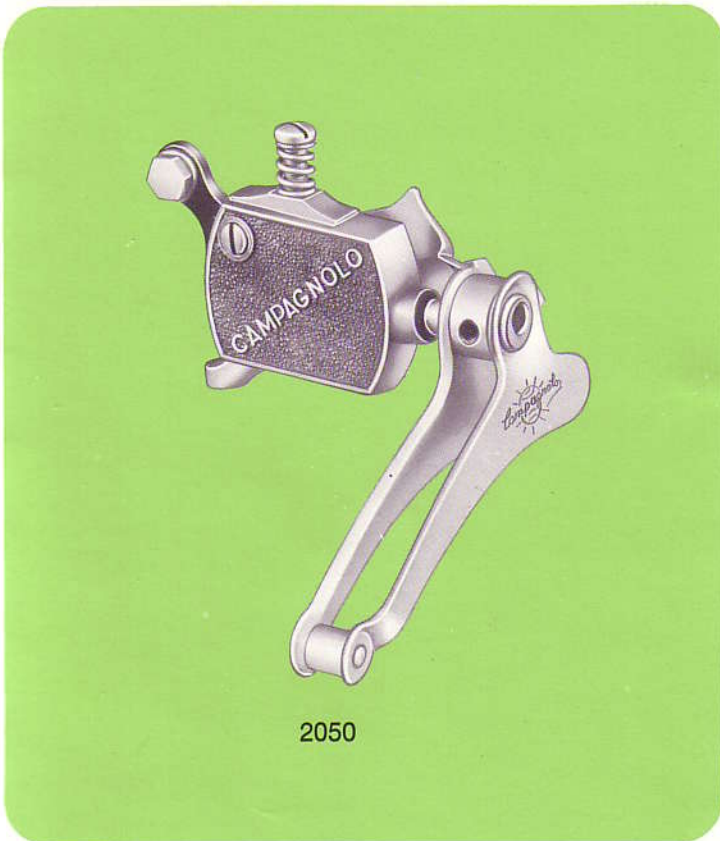


3500

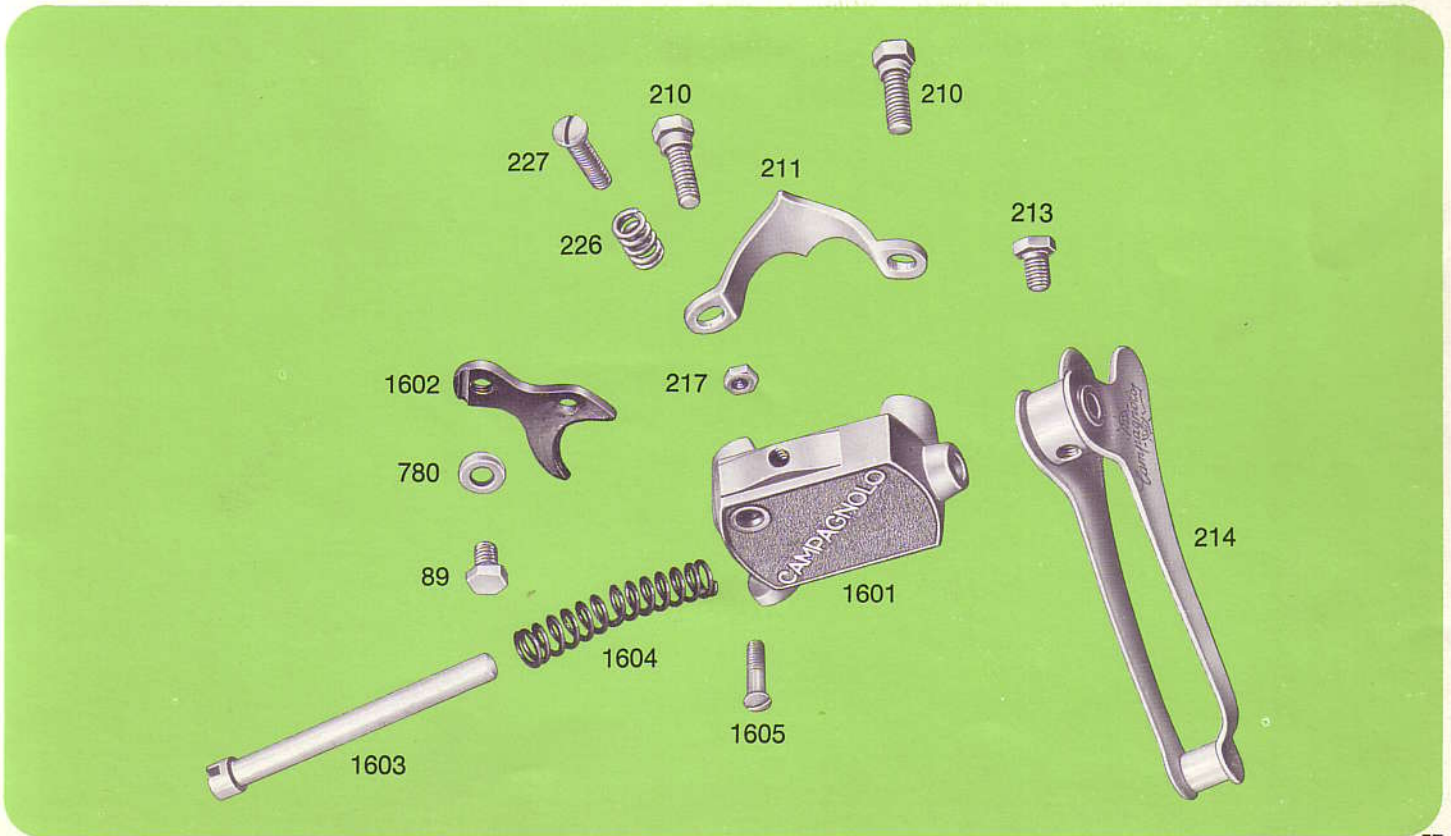


**PARTICULAR
COMPONENTS
OF CAMPAGNOLO
GRAN SPORT
GROUP
2240**

- 2050 Front changer
- 89 Clamp washer
- 210 Body clip bolt
- 211 Body fixing clip
- 213 Fork fixing bolt
- 214 Fork cage
- 217 Nut
- 226 Adjusting bolt spring
- 227 Adjusting lever screw
- 780 Cable clamp bolt washer
- 1601 Front changer body
- 1602 Control fork
- 1603 Spindle
- 1604 Front changer return spring
- 1605 Bolt

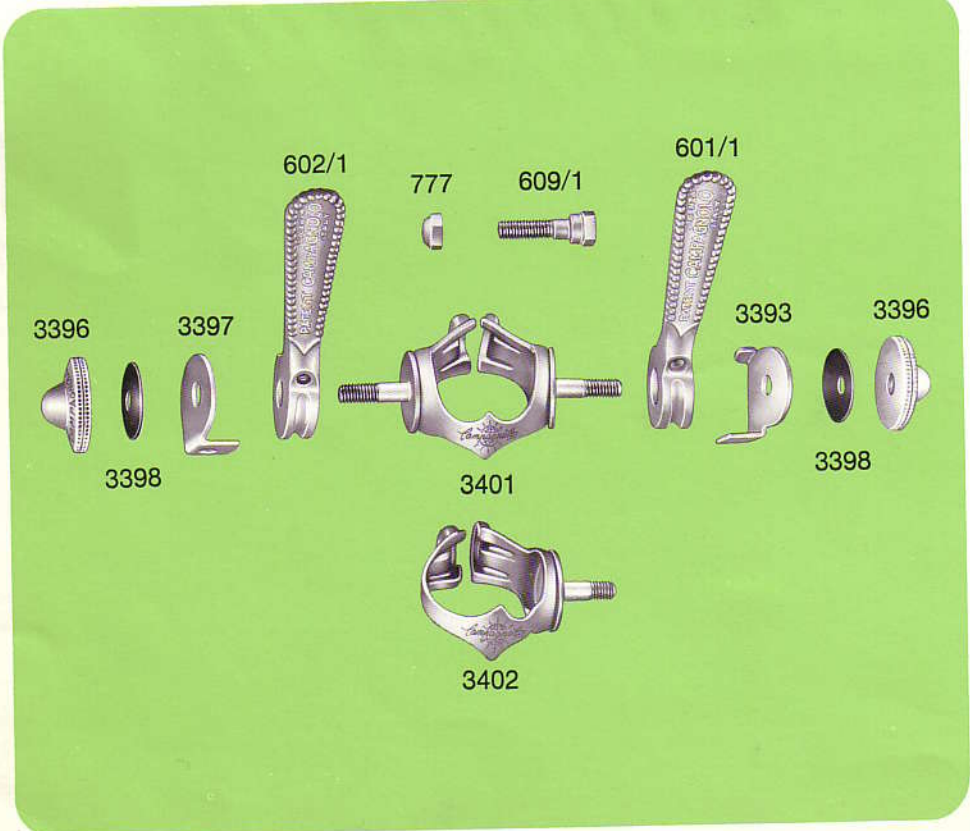
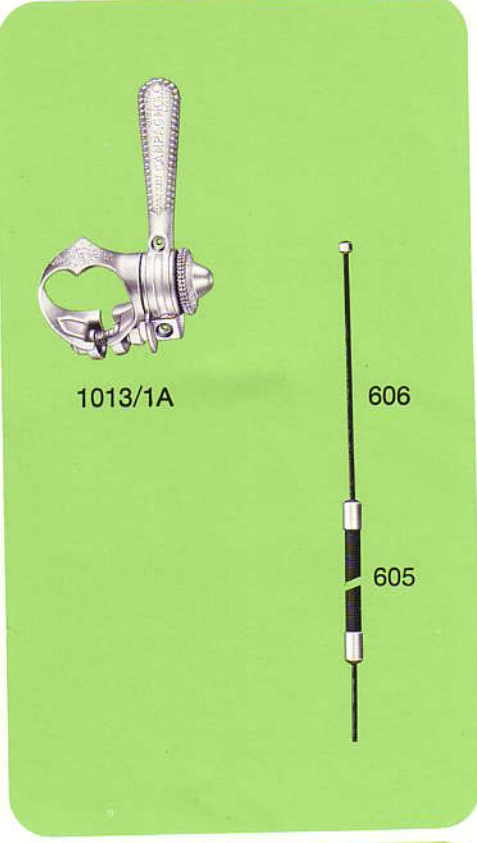
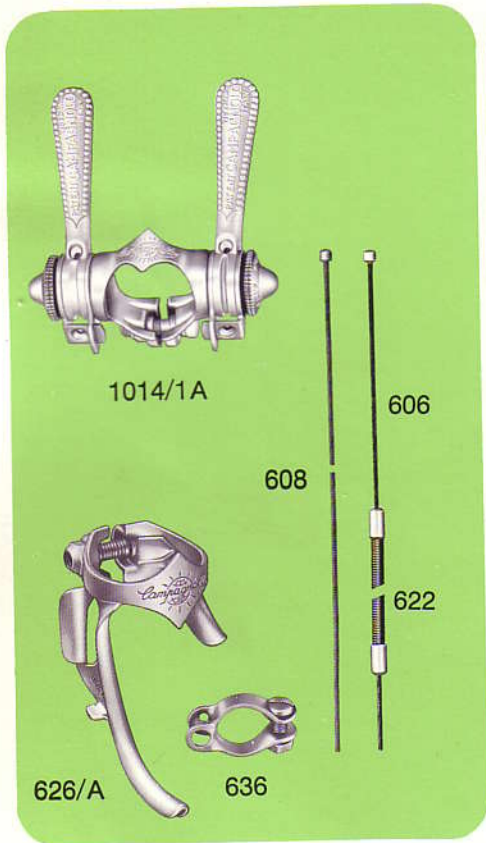


2050



**PARTICULAR
COMPONENTS
OF CAMPAGNOLO
GRAN SPORT
GROUP
2240**

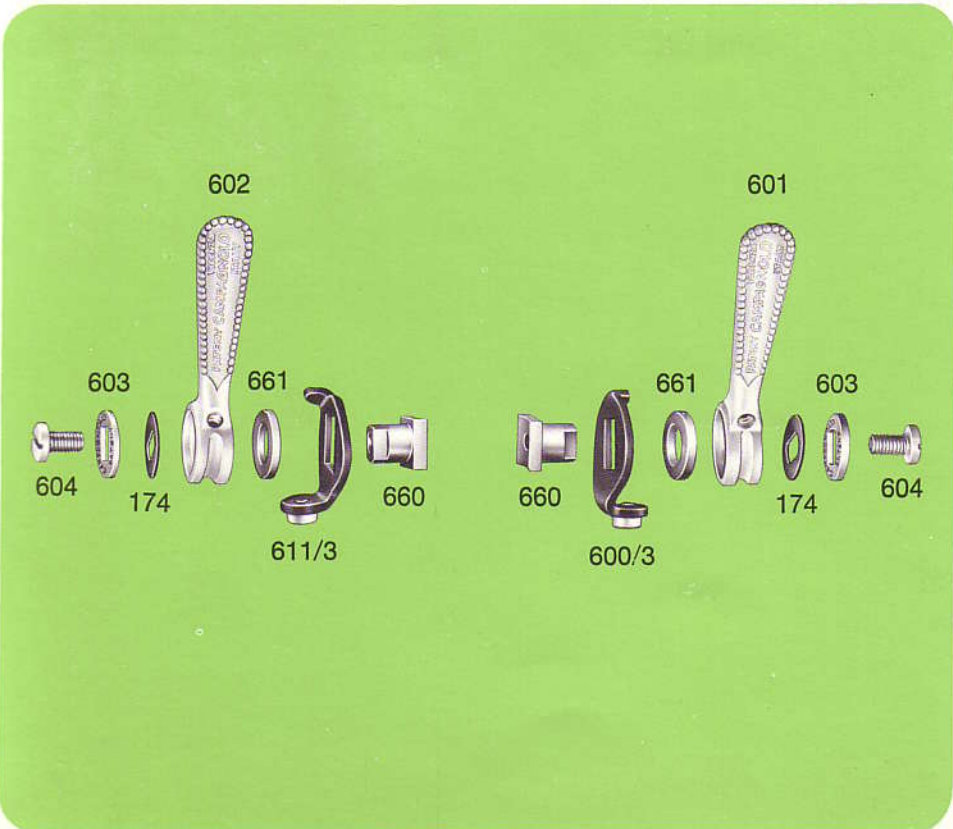
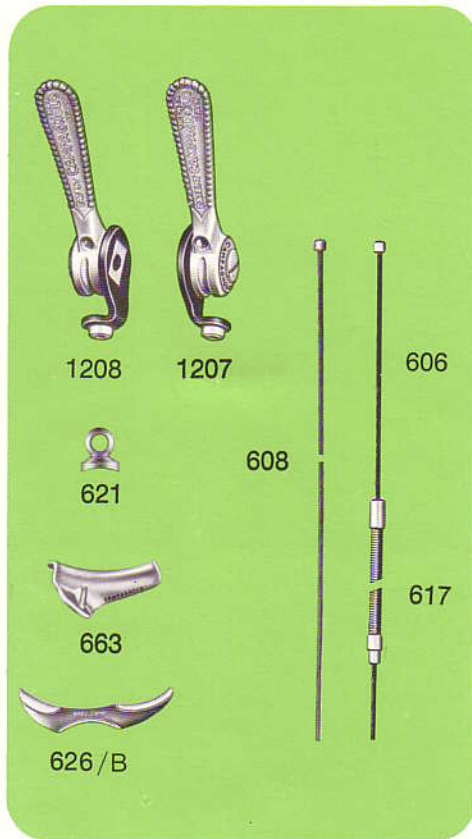
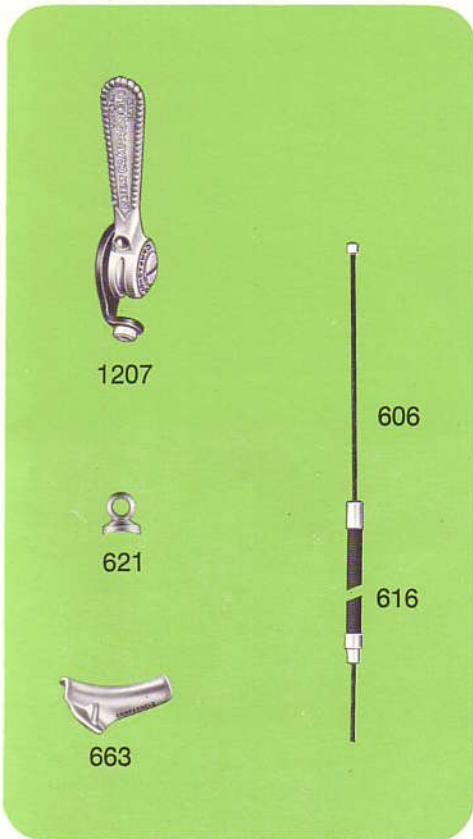
- 1013/1A Right hand Gran Sport down tube control
- 1014/1A Gran Sport twin down tube control lever
- 1207 Braze-on gear control
- 1208 Braze-on front changer control
- 174 Friction plate
- 600/3 Right hand braze-on control lever plate with ferrule
- 601 Right hand control lever only



- 601/1 Right hand control lever only
- 602 Left hand control lever only
- 602/1 Left hand control lever only
- 603 Cover plate
- 604 Friction adjusting screw
- 605 Gear outer casing (105 cm.)
- 606 Down tube control gear inner wire (118 cm.)
- 608 Down tube control front changer inner wire (72 cm.)
- 609/1 Fixing clip bolt

- 611/3 Left hand braze-on control lever plate
- 616 Gear vipla outer casing (23 cm.)
- 617 Braze-on gear stainless steel outer casing (21 cm.)
- 621 Braze-on cable stop
- 622 Gear stainless steel outer casing (21 cm.)
- 626/A Twin gear cable clip
- 626/B Braze-on cable ferrule
- 636 Chainstay clip

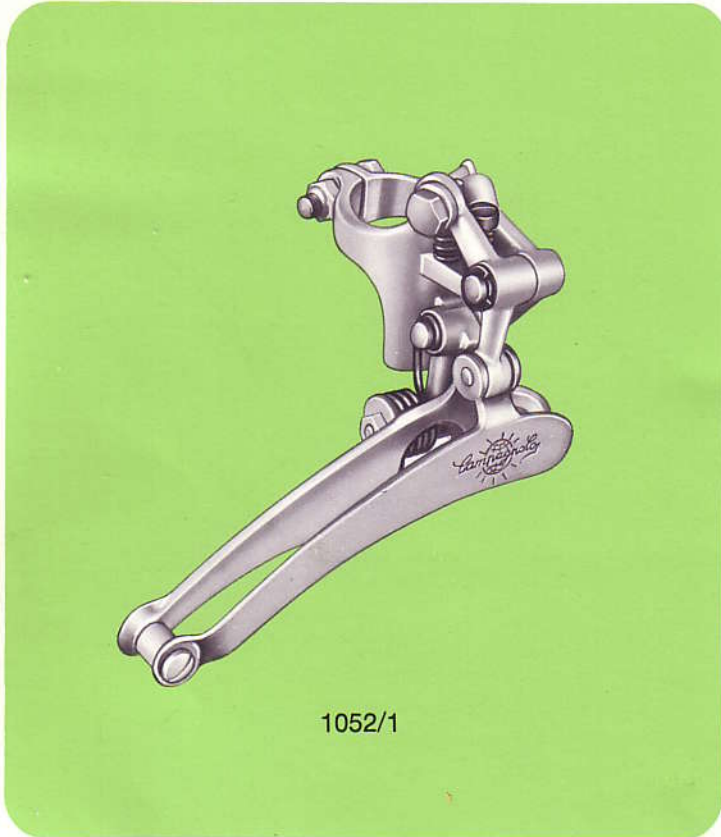
- 660 Braze-on boss
- 661 Brazed boss collar
- 663 Braze-on ferrule
- 777 Nut
- 3393 Right hand toothed washer
- 3396 Milled nut for Gran Sport lever
- 3397 Left hand toothed washer
- 3398 Elastic washer
- 3401 Gran Sport twin control clip
- 3402 Gran Sport right hand control clip



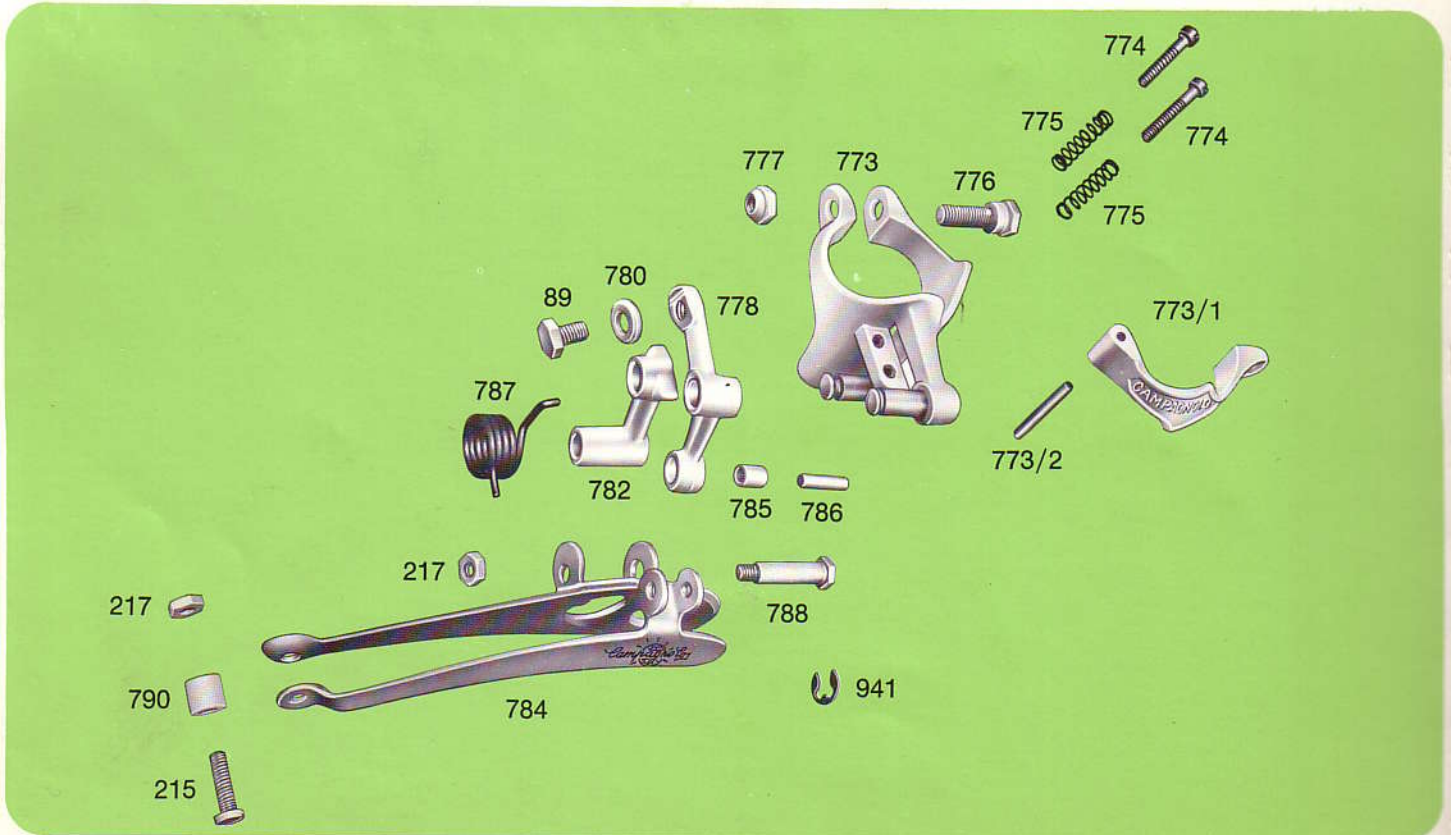
PARTICULAR COMPONENTS OF CAMPAGNOLO GRAN SPORT GROUP 2240

- 1052/1 Record front changer
- 89 Locking screw
- 215 Cage spanner bolt
- 217 Cage spacer bolt nut
- 773 Record front changer body (complete with clip and hinge)
- 773/1 Hinge
- 773/2 Hinge pin
- 774 Adjusting screw
- 775 Adjusting bolt spring
- 776 Clip fixing screw

- 777 Nut
- 778 Upper arm
- 780 Cable clamp bolt washer
- 782 Lower arm
- 784 Front changer cage
- 785 Ferrule for front changer cage
- 786 Spindle for front changer cage
- 787 Front changer return spring
- 788 Cage shank bolt
- 790 Bush
- 941 Circlip



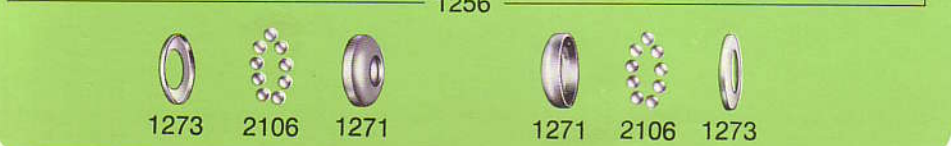
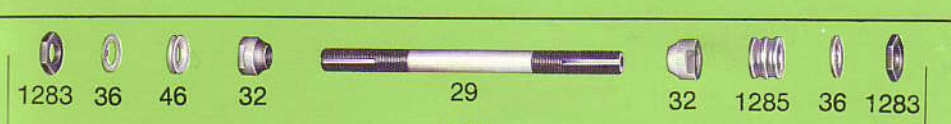
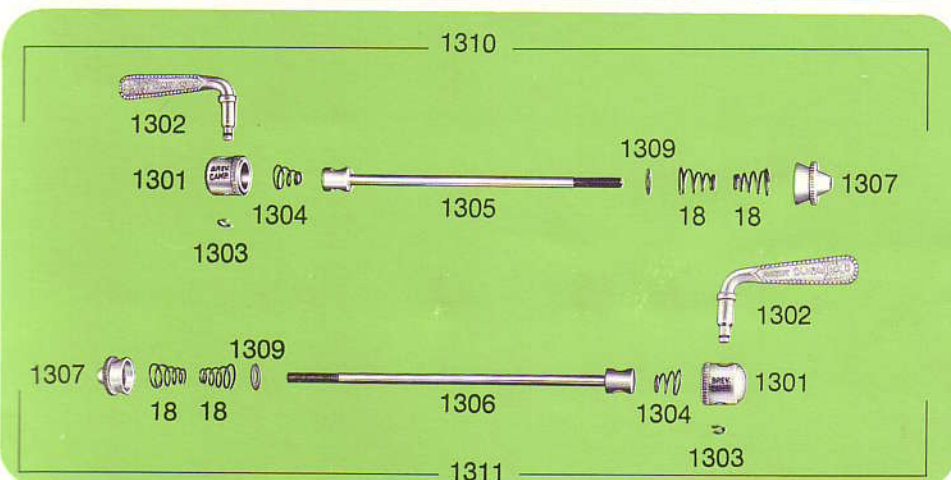
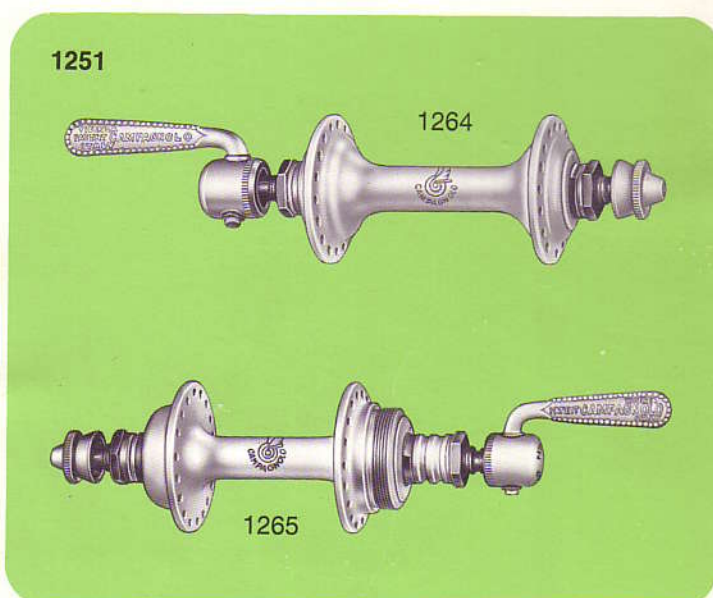
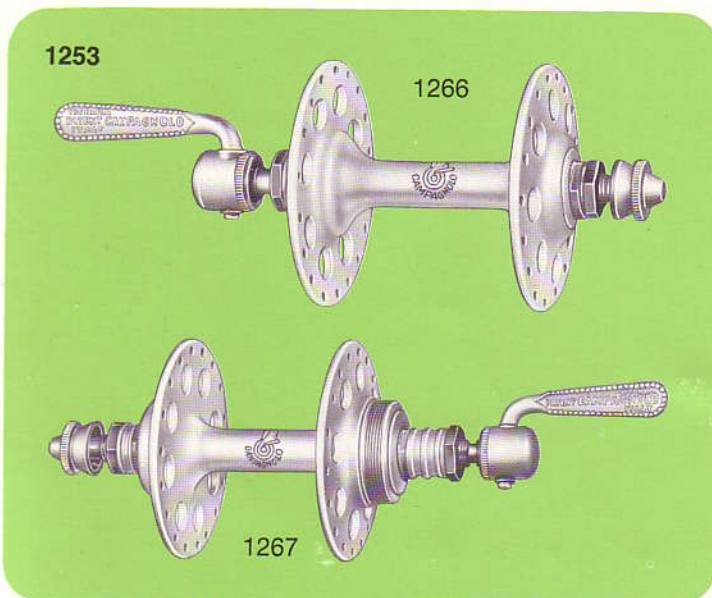
1052/1



PARTICULAR COMPONENTS OF CAMPAGNOLO GRAN SPORT GROUP 2240

- 1251 Pair Nuovo Tipo small flange quick release hubs (front width 100 mm., rear width 120 mm., flanges with 36 holes, thread \varnothing 35 x 24F.). Upon request are furnished with thread \varnothing 34,7 x 1M. or \varnothing 1,370" x 24 Tpi-BSC
- 1264 Nuovo Tipo small flange front hub
- 1265 Nuovo Tipo small flange rear hub

- 1253 Pair Nuovo Tipo large flange quick release hubs (front width 100 mm., rear width 120 mm., flanges with 36 holes, thread \varnothing 35 x 24F.). Upon request are furnished with thread \varnothing 34,7 x 1M. or \varnothing 1,370" x 24 Tpi-BSC
- 1266 Nuovo Tipo large flange front hub
- 1267 Nuovo Tipo large flange rear hub



- 1 Front lock nut
- 18 Conical spring
- 19 Front hollow axle
- 25 Front cone
- 29 Rear hollow axle (127 mm. long). Upon request are furnished spindles 132 and 134 mm. long
- 32 Rear cone
- 35 Front hub lock washer
- 36 Rear hub lock washer
- 46 Rear spacing collar
- 1001/4 Complete front hollow spindle for Nuovo Tipo hub
- 1256 Complete rear hollow spindle for Nuovo Tipo hub
- 1270 Front ball cup
- 1271 Rear ball cup
- 1272 Front dust cover
- 1273 Rear dust cover
- 1283 Rear lock nut
- 1285 Large spacing collar
- 1301 Quick release cap
- 1302 Quick release lever
- 1303 Circlip for lever
- 1304 Conical tension spring
- 1305 Quick release front skewer
- 1306 Quick release rear skewer
- 1307 Knurled adjusting nut
- 1309 Washer for skewer
- 1310 Complete front quick release skewer for Nuovo Tipo hub
- 1311 Complete rear quick release skewer for Nuovo Tipo hub
- 2105 Set (10+10) special \varnothing 3/16" balls selected with 1/1000 of mm. tolerance
- 2106 Set (9+9) special \varnothing 1/4" balls selected with 1/1000 of mm. tolerance

PARTICULAR COMPONENTS OF CAMPAGNOLO GRAN SPORT GROUP 2240

- 3330/A Sport chainwheel set
- 3320/A Sport road chainset (with cranks 170 mm., pedal hole \varnothing 9/16" x 20F. and fixed couple of chainrings for chain 1/2" x 3/32" [2 mm.]). Specify the number of teeth of the fixed couple of chainrings available as follows: 42/49T - 42/50T - 42/51T - 42/52T - 42/53T. Upon request furnished cranks with pedal hole M.14 x 1,25
- 3331 Sport bottom bracket set

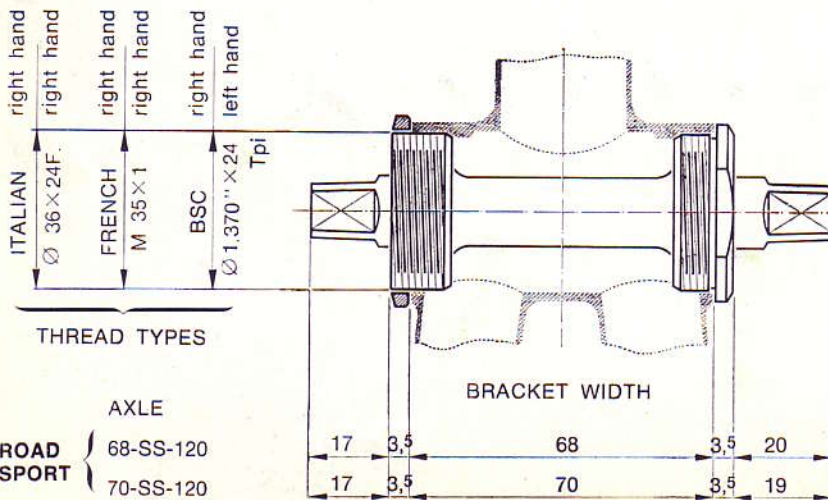
3330/A



3320/A



3331



Details of bracket number:

- The first number indicates the bracket width
- P indicates track
- SS indicates road
- C indicates cross
- Number 110 or 120 indicates the suggested width of the rear hub for a perfect chain alignment (see pages 92-93)

UPON REQUEST WE SUPPLY THE CUPS WITH THREAD INCREASED BY 0,5 mm.

(bracket width 70 mm. and cups threaded \varnothing 36 x 24F.). Upon request is furnished the bracket safety sleeve ref. 2110 - 2110/1. See page 81

- 745 Fixed cup.
- Indicate required thread
- 746 Adjustable cup.
- Indicate required thread
- 747 Lockring with normal 3,5 mm. thickness (available also with 4 mm. and 4,5 mm. thickness)
- Indicate required thread
- 748 Fixing screw

- 749 Fixing washer
- 756 Crank cover plate
- 2100 Set (11+11) special \varnothing 1/4" balls selected with 1/1000 of mm. tolerance
- 3321/A Sport left hand crank (complete with cover 756, 170 mm. long, pedal hole \varnothing 9/16" x 20F.). Upon request are furnished cranks with pedal hole M.14 x 1,25
- 3322/A Sport right hand crank (complete with cover 756, 170 mm. long, pedal hole

- \varnothing 9/16" x 20F.). Upon request are furnished cranks with pedal hole M.14 x 1,25
- 3325 Sport chainwheel fastening screw
- 3327 Sport double chainrings for 1/2" x 3/32" (2 mm.) chain. Please specify the number of teeth of the fixed double chainrings 42/49 - 52/50 - 42/51 - 42/52 - 42/53
- 3329 Collar nut for 3325
- 3332 Sport cotterless spindle. See measurements and indicate spindle size



756



3329



3325



3321/A



3327



3322/A



748



749



747



746



3332



745



749



748



2100

PARTICULAR COMPONENTS OF CAMPAGNOLO GRAN SPORT GROUP 2240

- 1010 Set Record front and rear fork ends
- 1040/A Sport head set (thread \varnothing 25,4 x 24F.). Upon request furnished with thread \varnothing 25 x 1M. or \varnothing 1" x 24 Tpi-BSC
- 2 Record right and left front fork ends
- 124 Fixing screw
- 300 Record left hand rear end
- 301 Record right hand rear end
- 302 Adjusting bolt
- 302/1 Nut for bolt 302
- 303 Adjusting bolt spring
- 677 Toe clip washer

- 681 Locking nut (specify type of threading)
- 682 Locking washer
- 687/A Sport screwed race (specify type of threading)
- 688/A Sport top head race (0,5 mm. larger gauge available)
- 689/A Sport bottom head race (0,5 mm. larger gauge available)
- 690/A Sport crown race (smaller diameter available)
- 2102 Set (25+25) special \varnothing 5/32" balls selected with 1/1000 of mm. tolerance

